

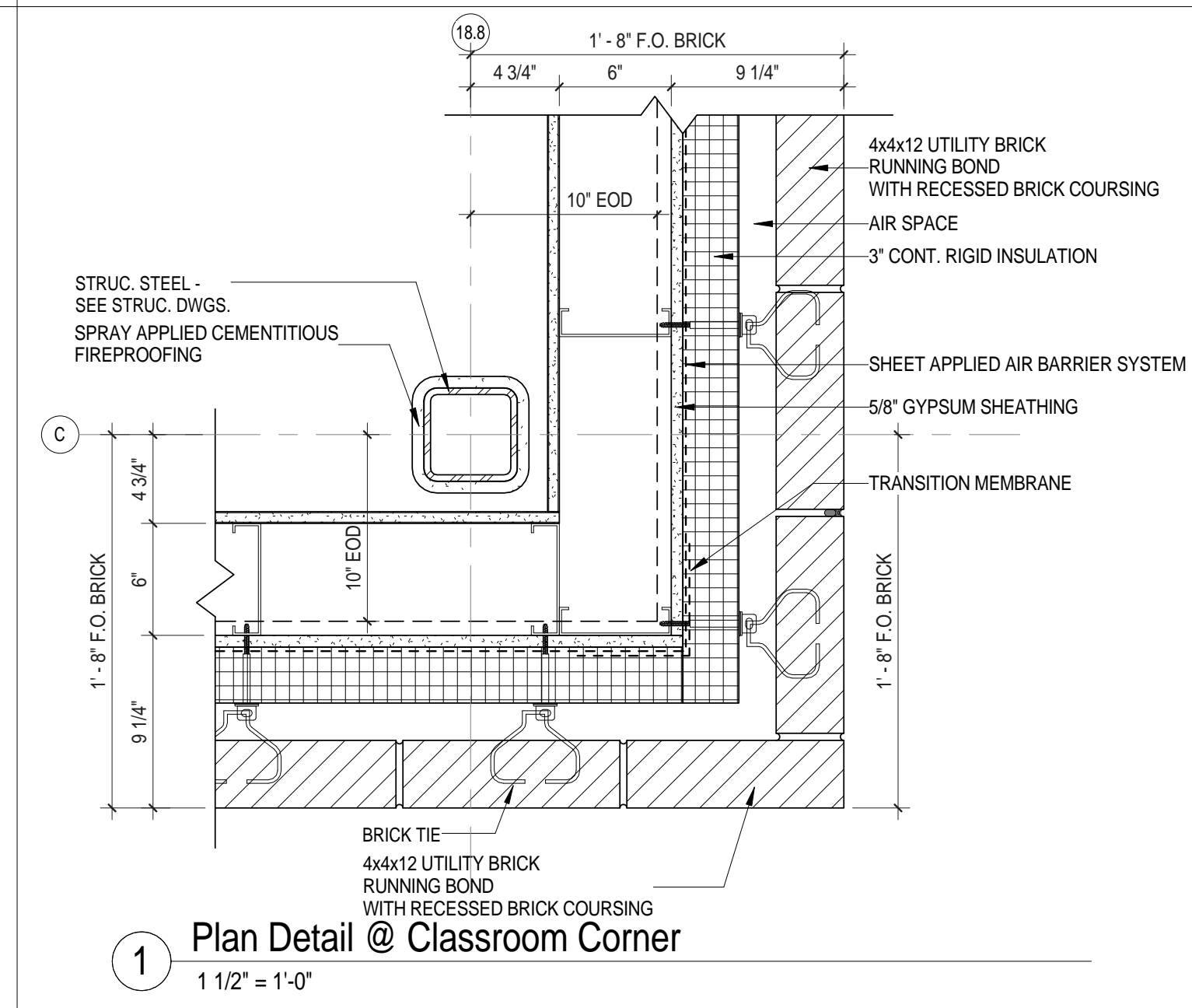
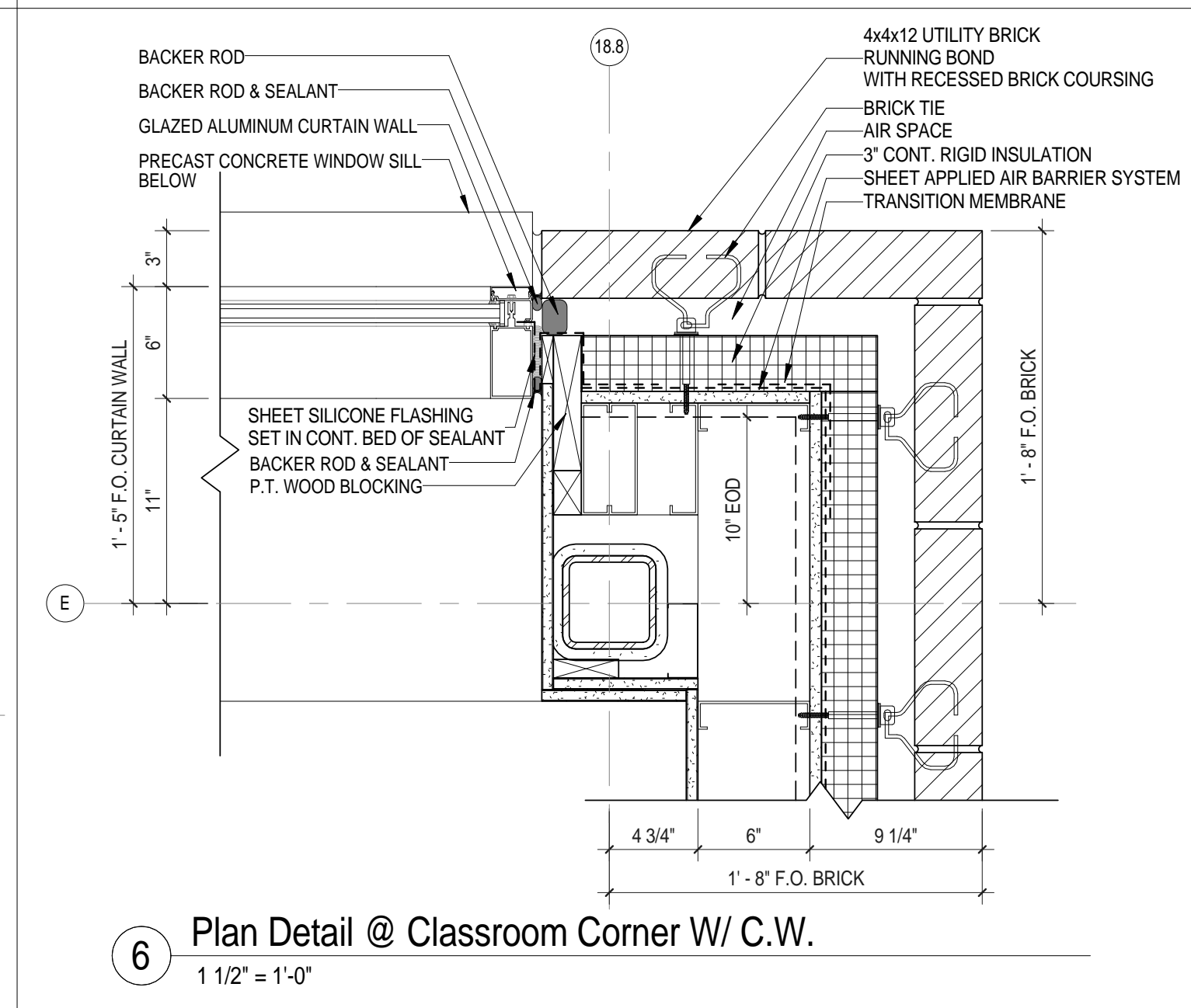
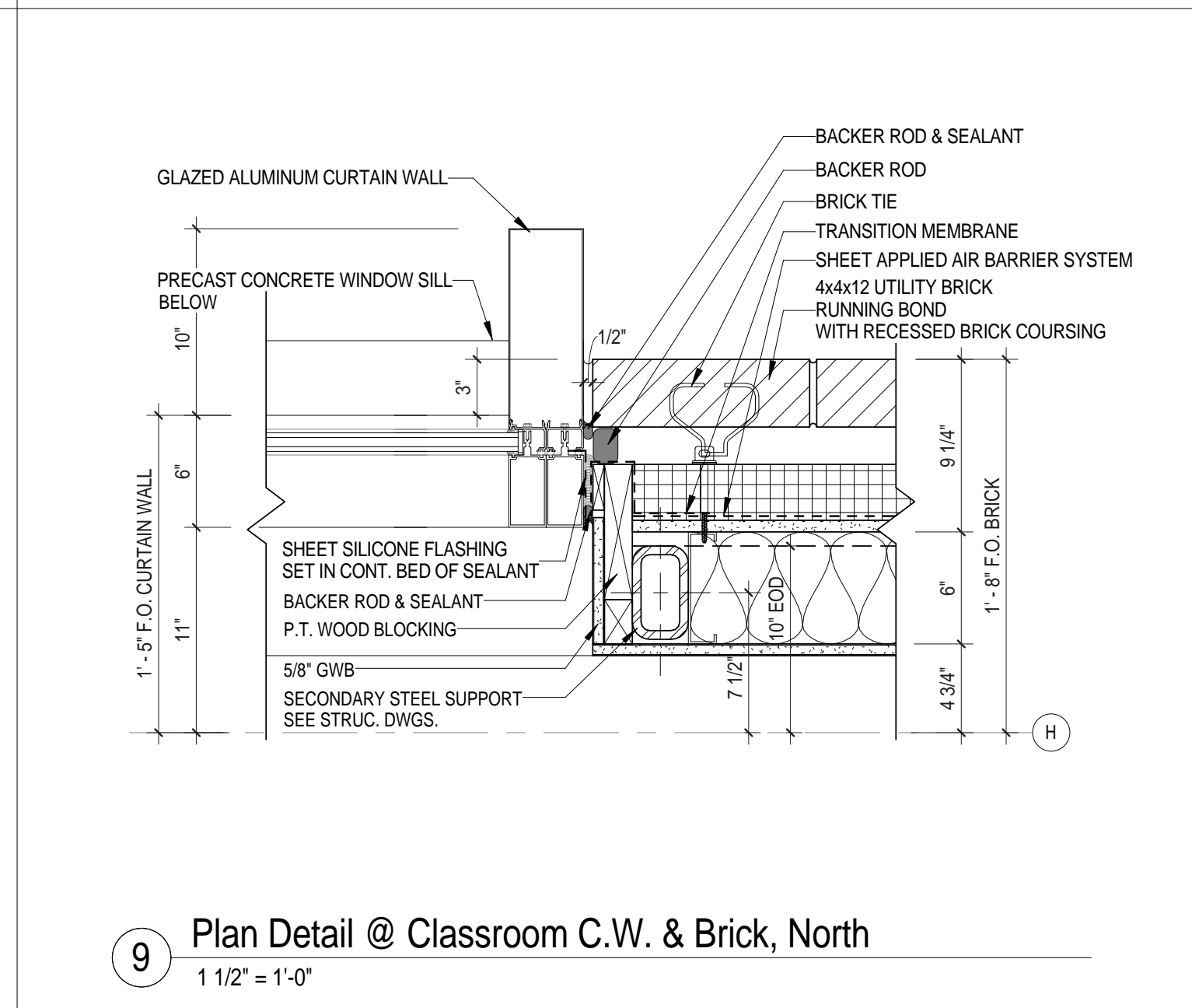
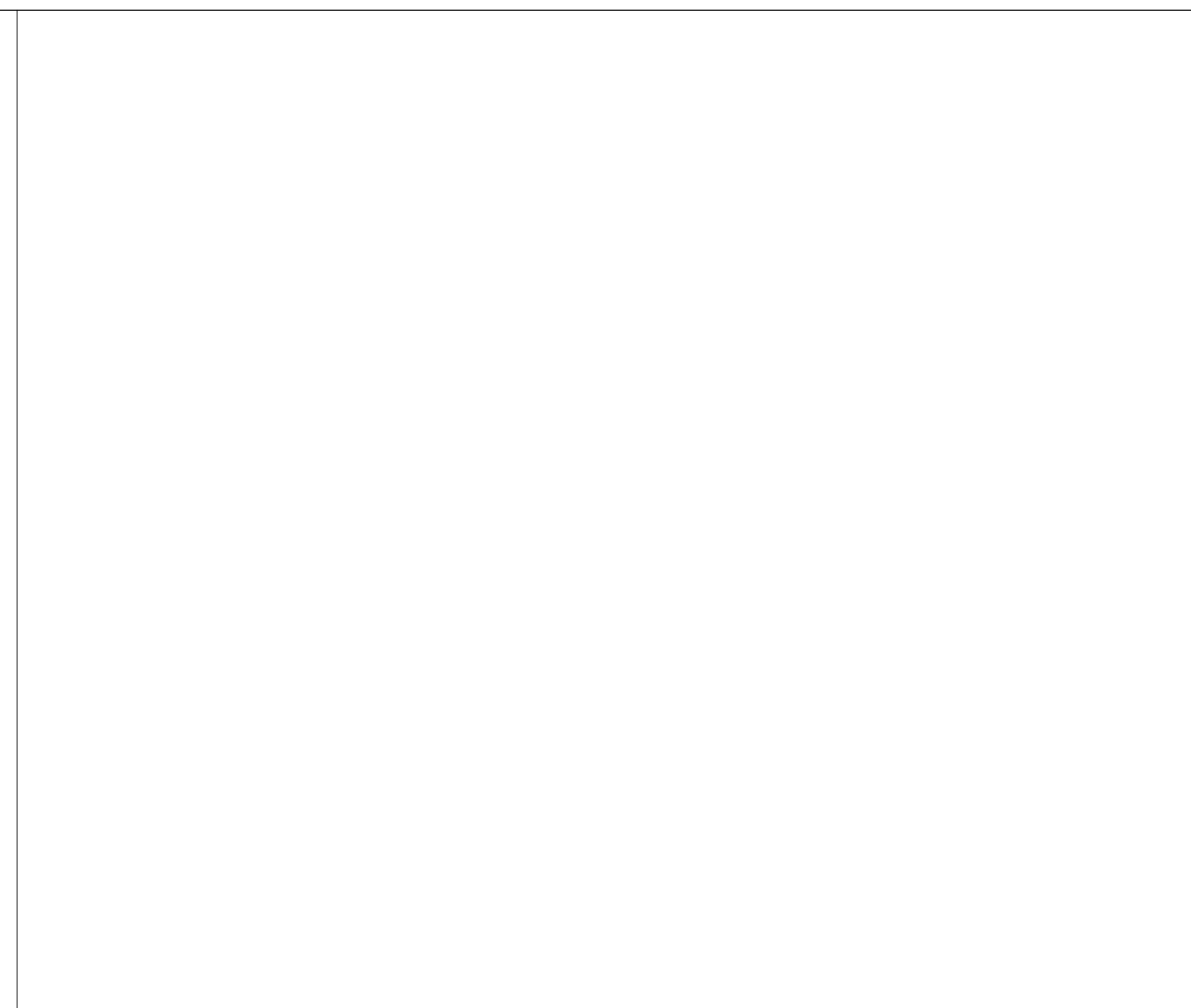
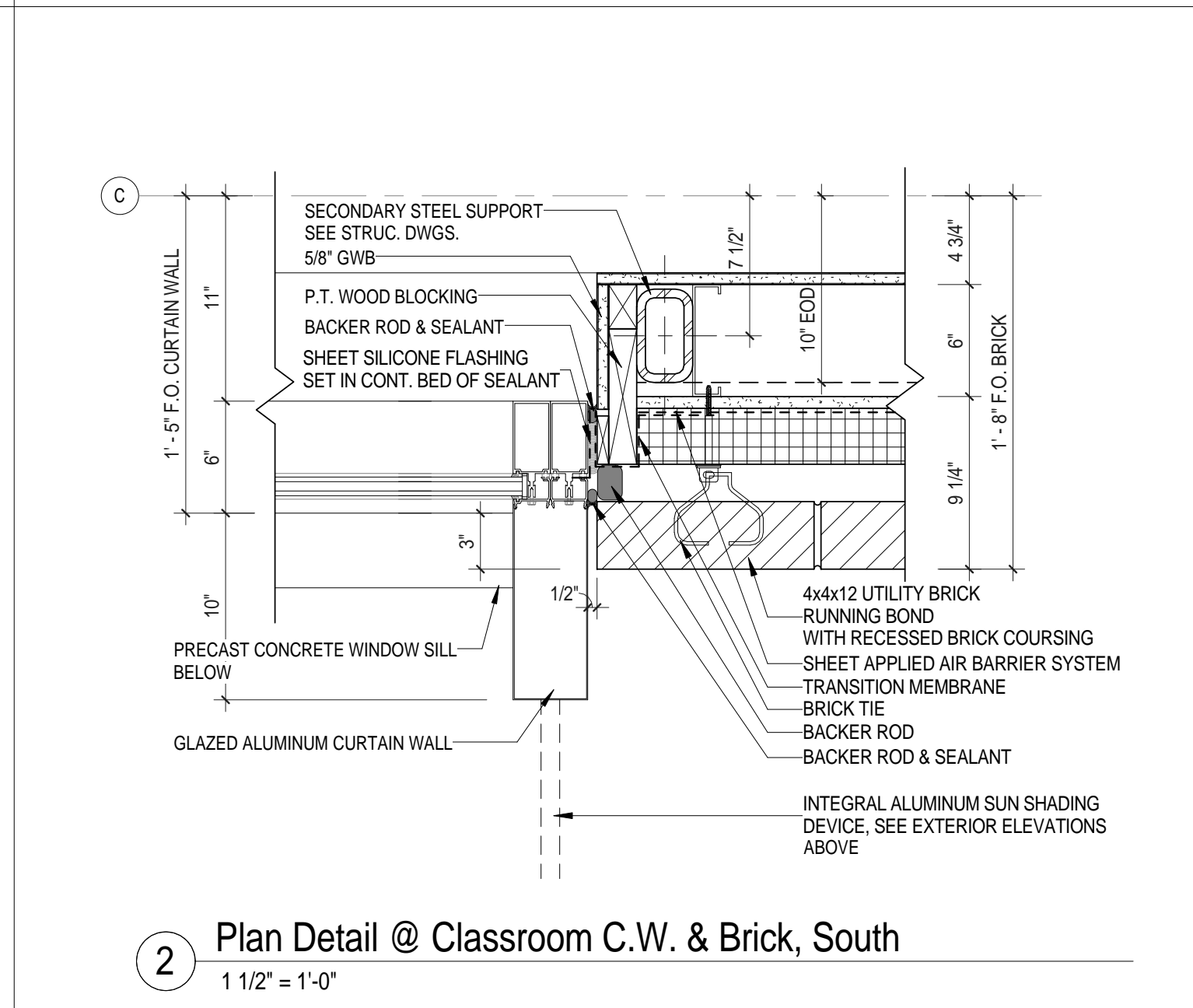
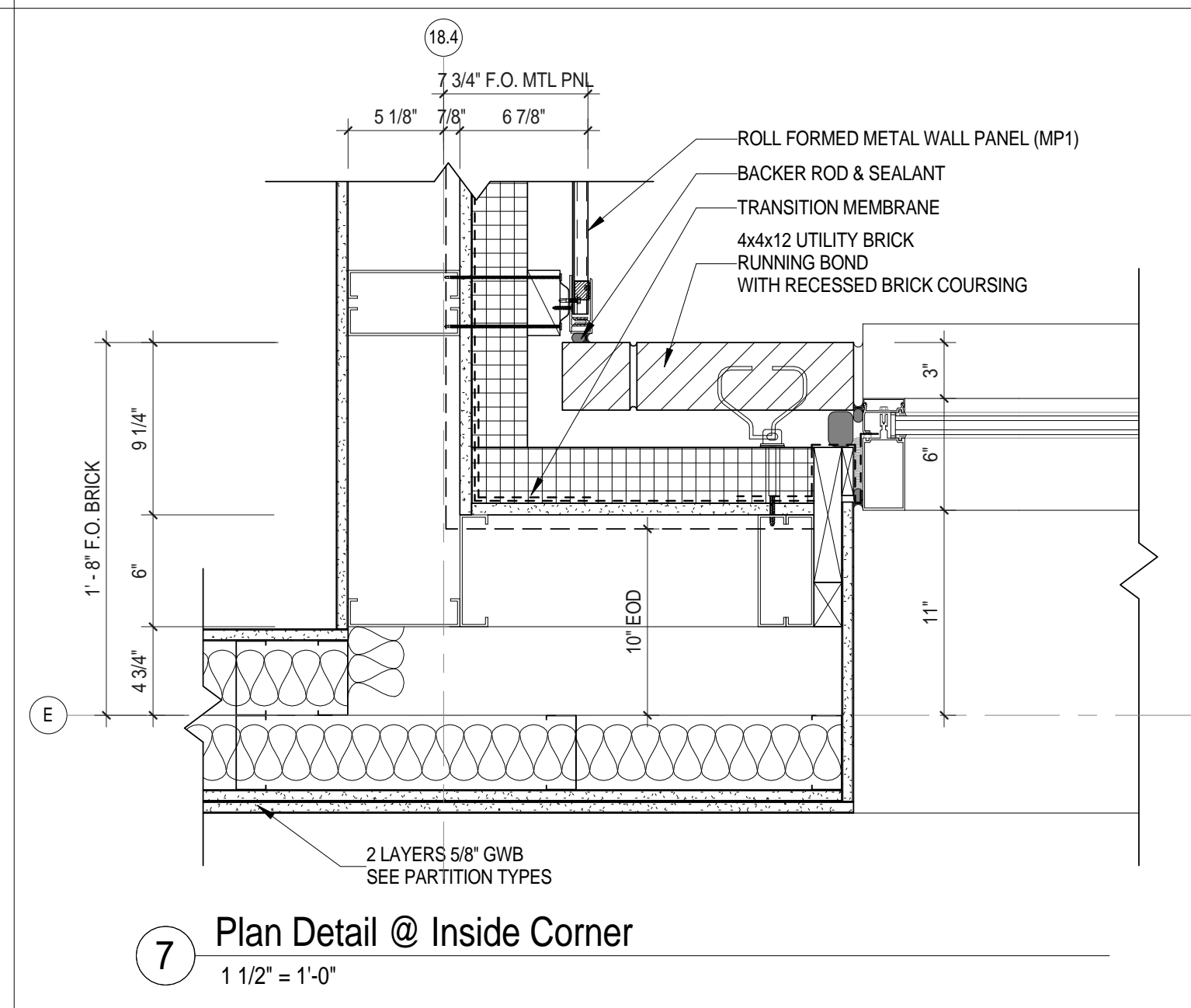
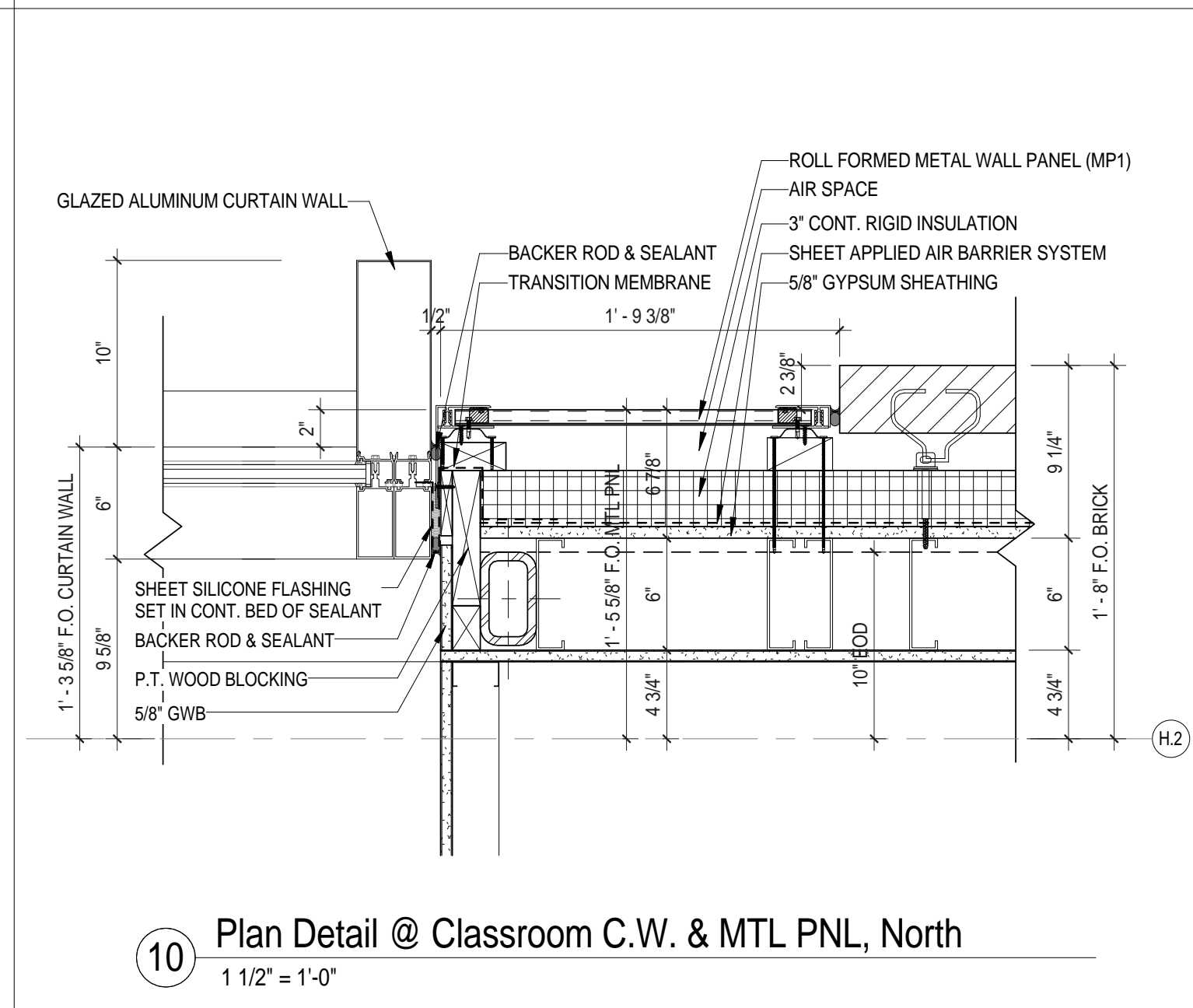
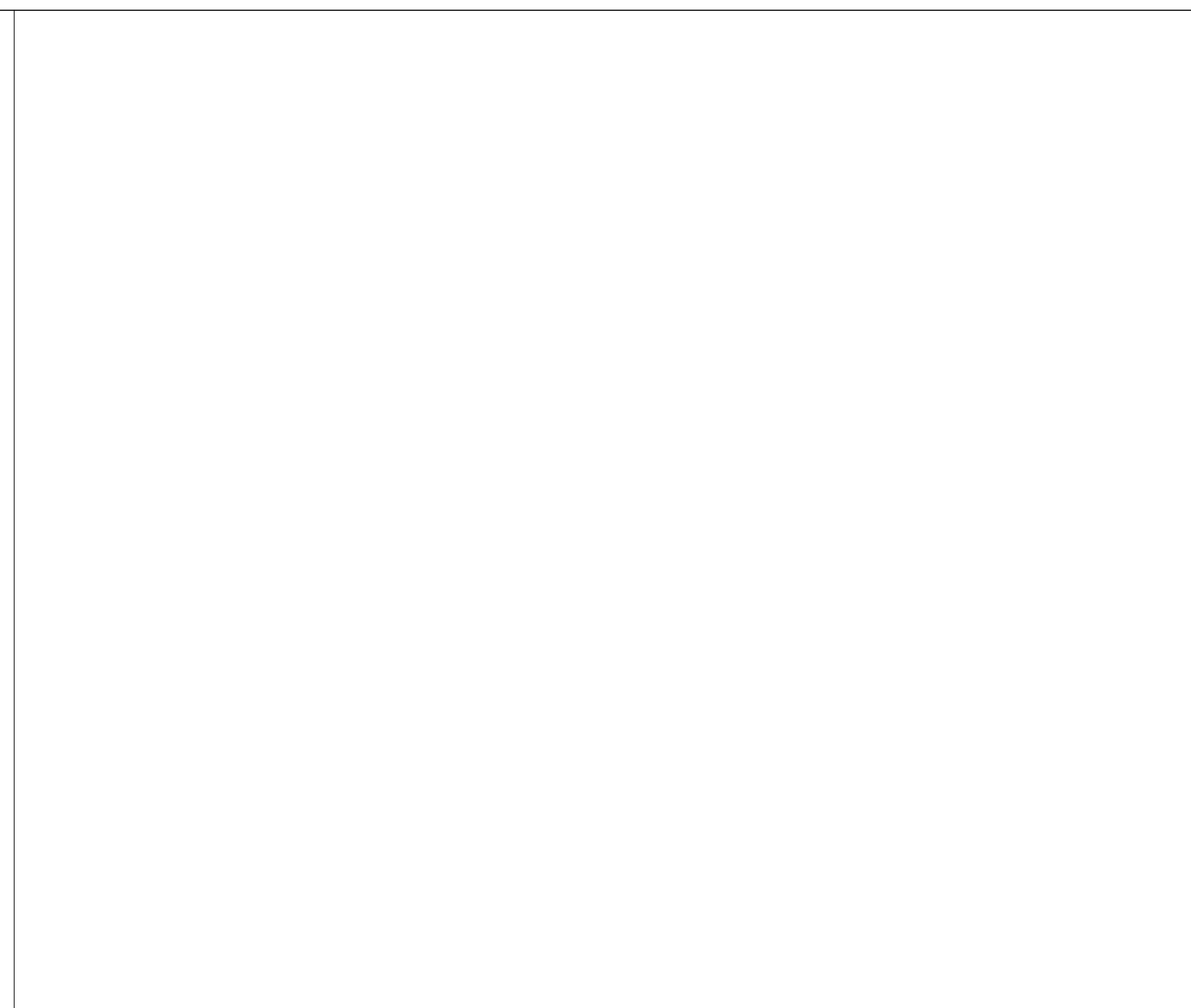
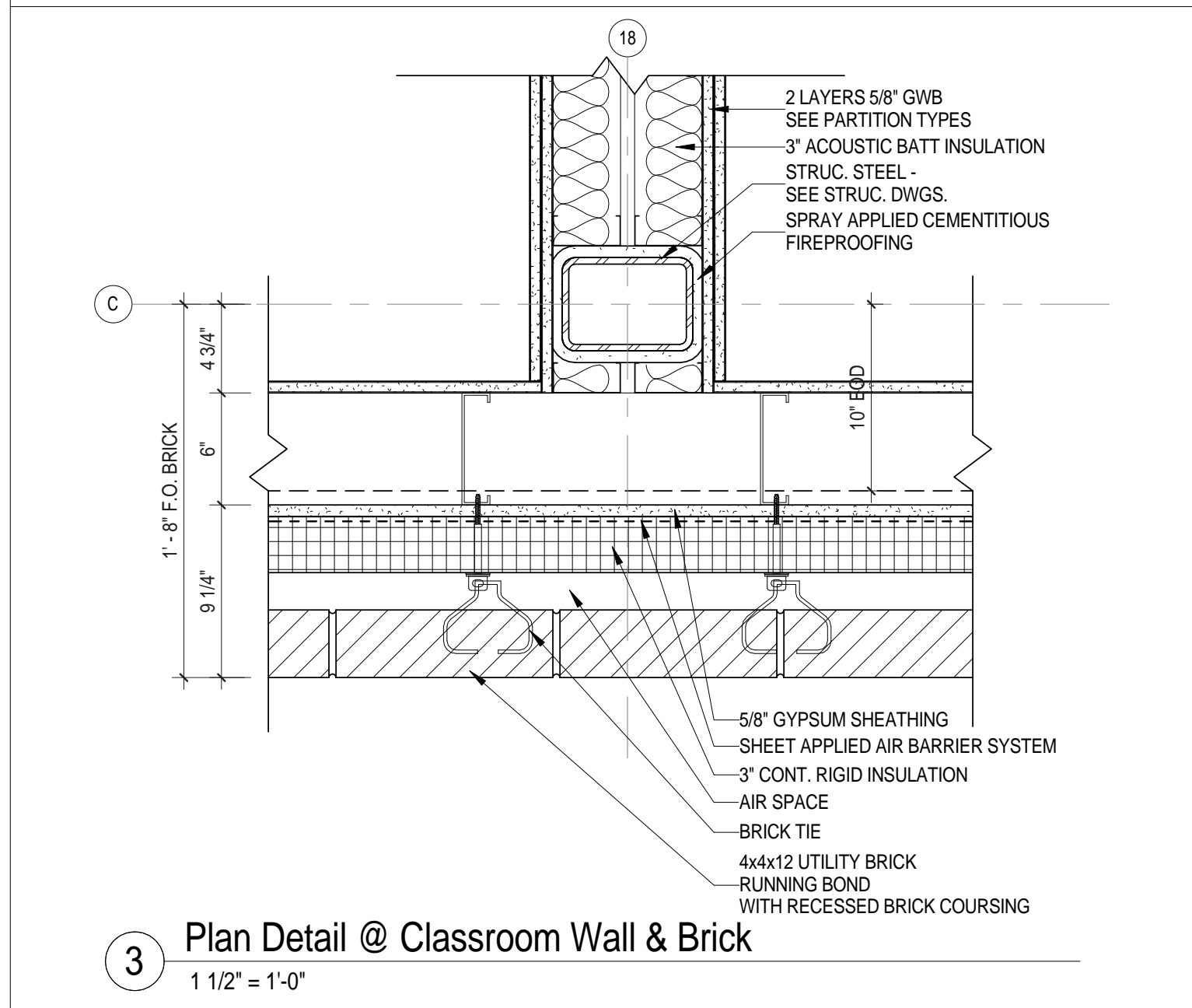
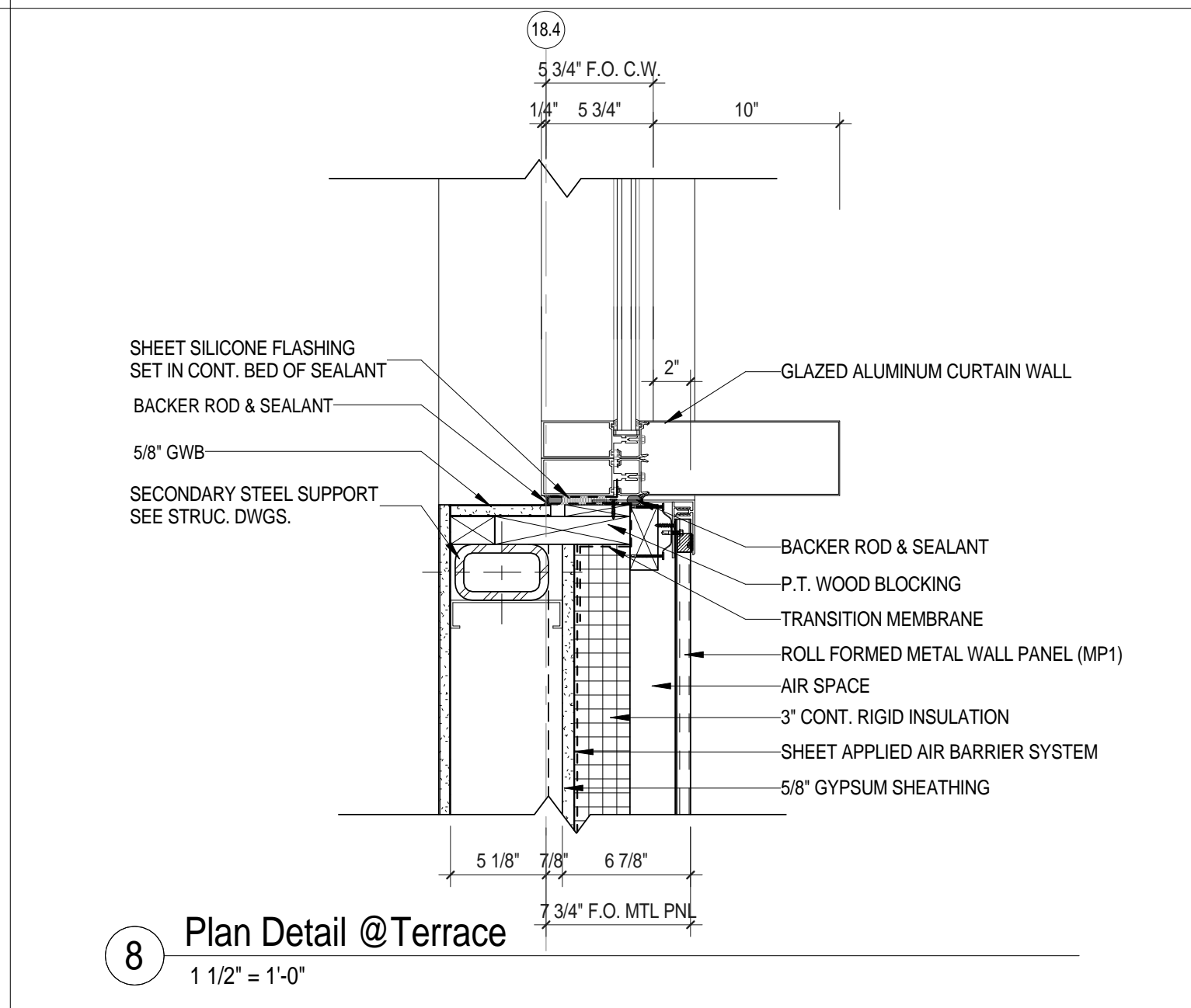
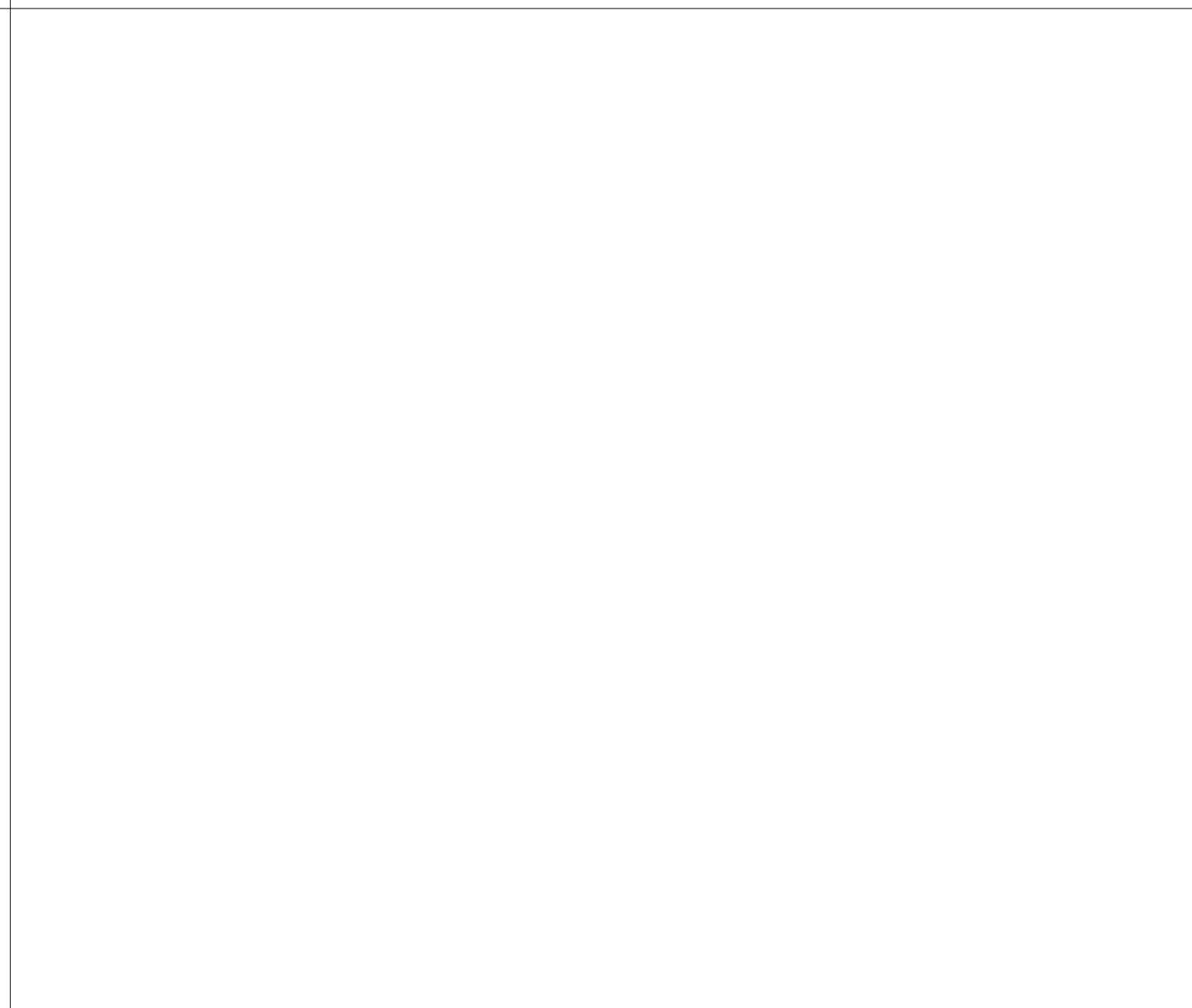
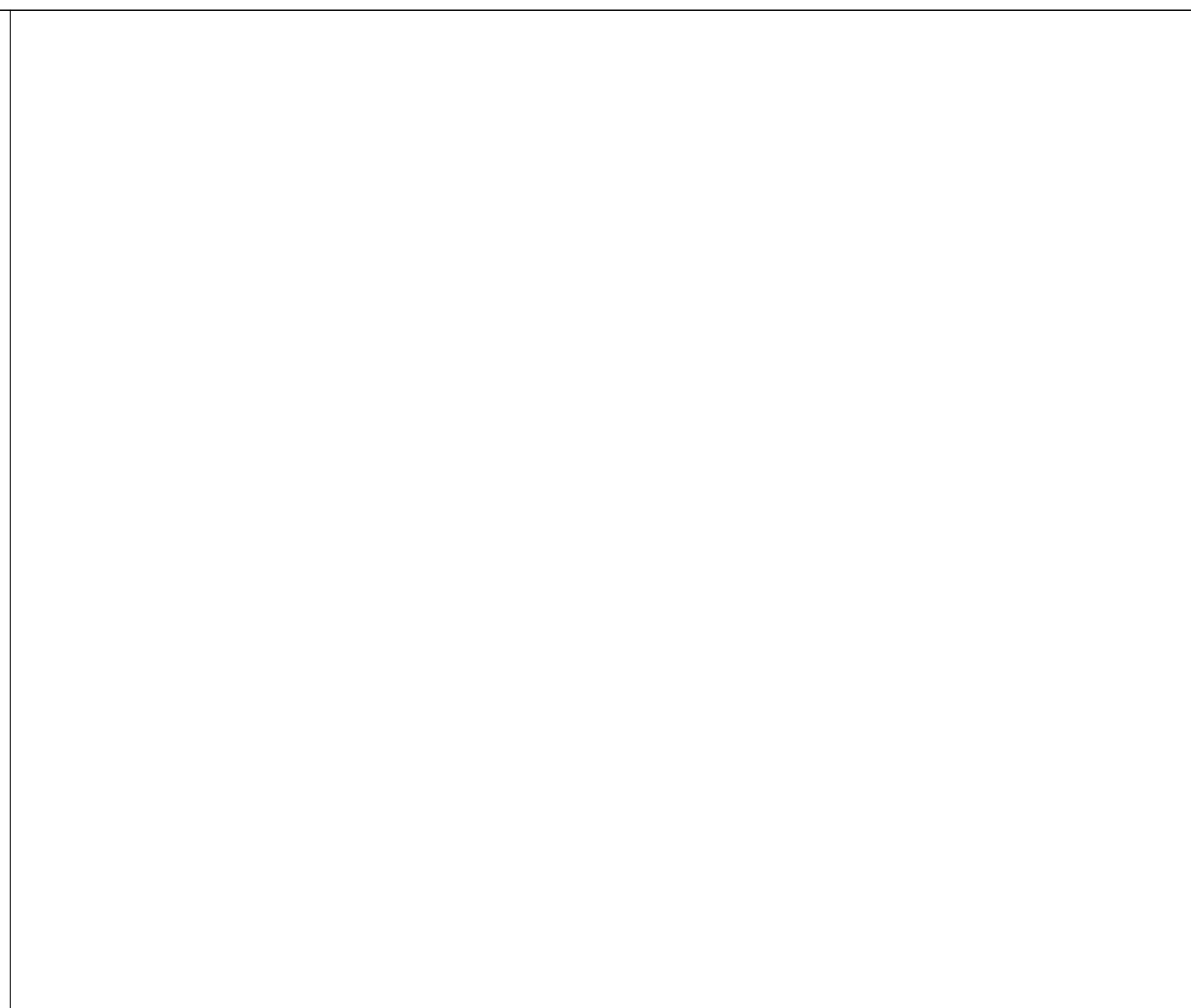
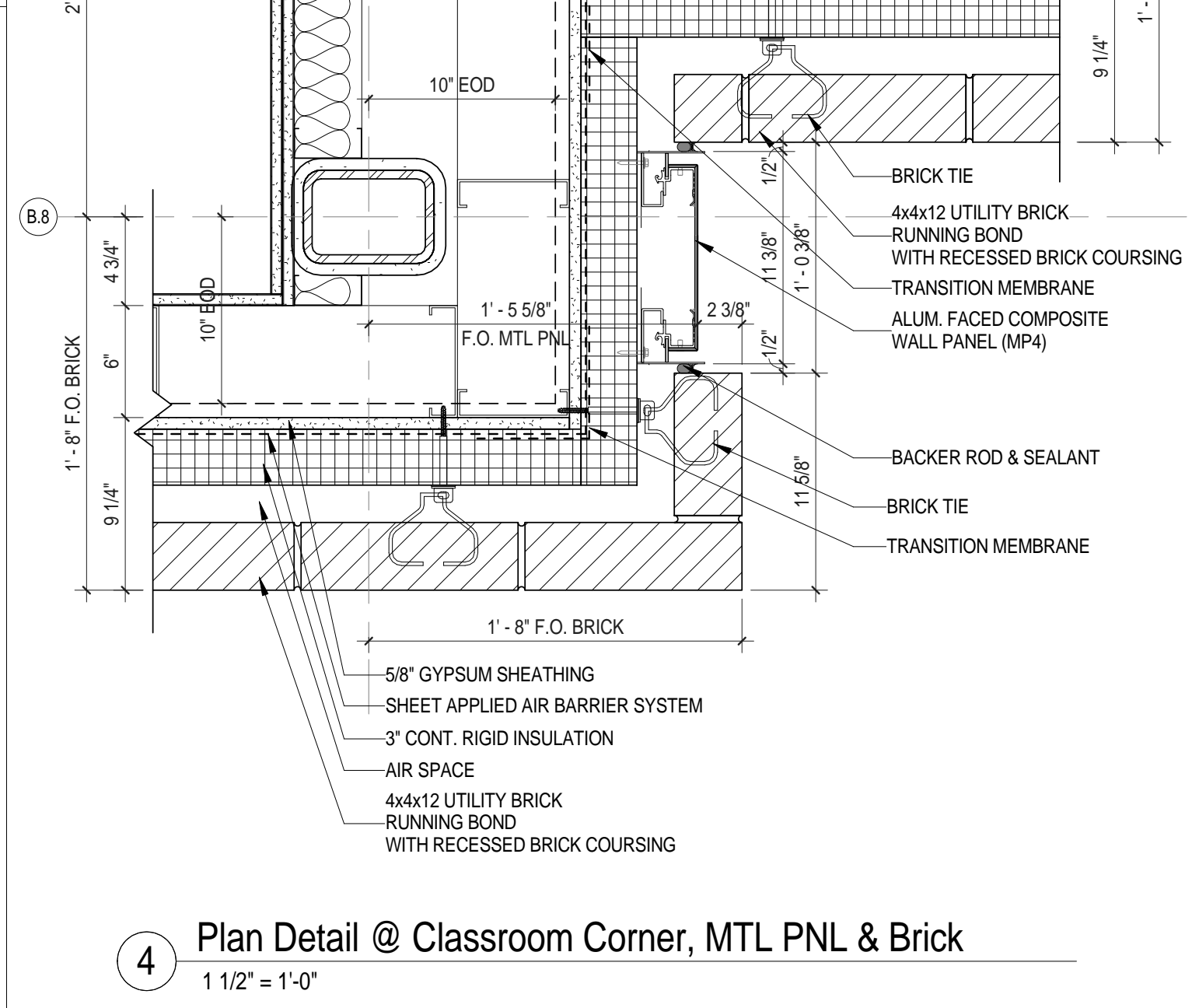
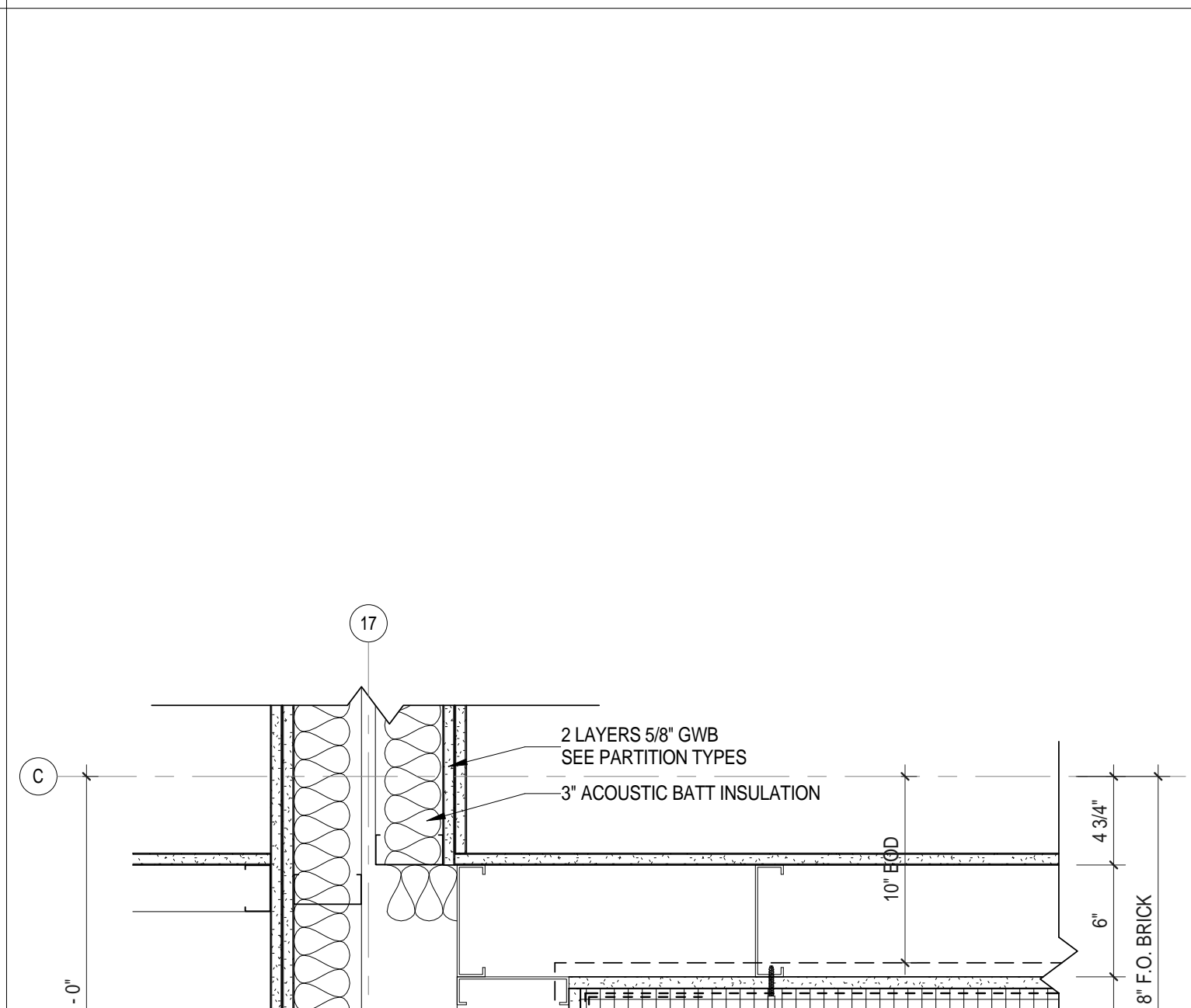
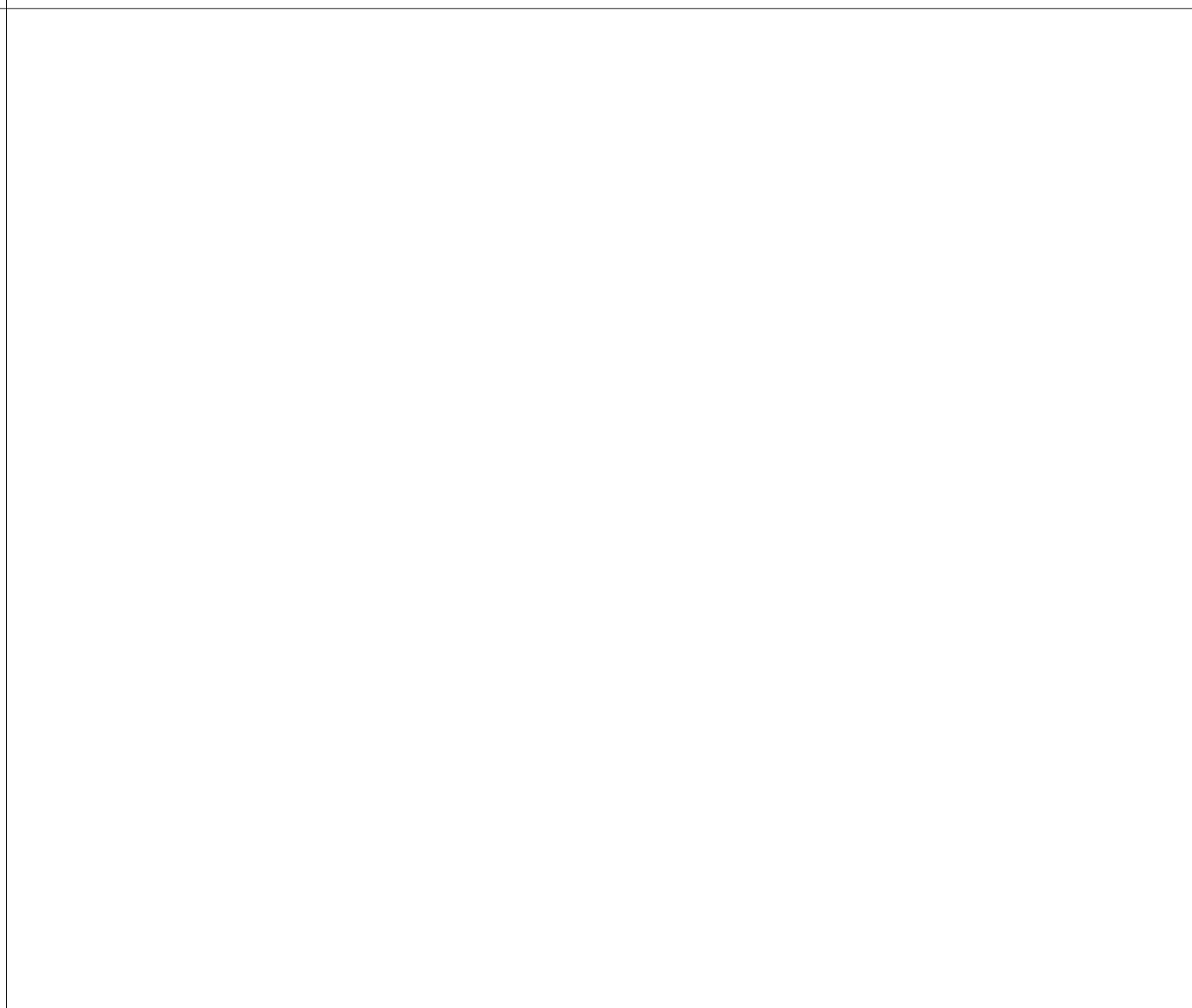
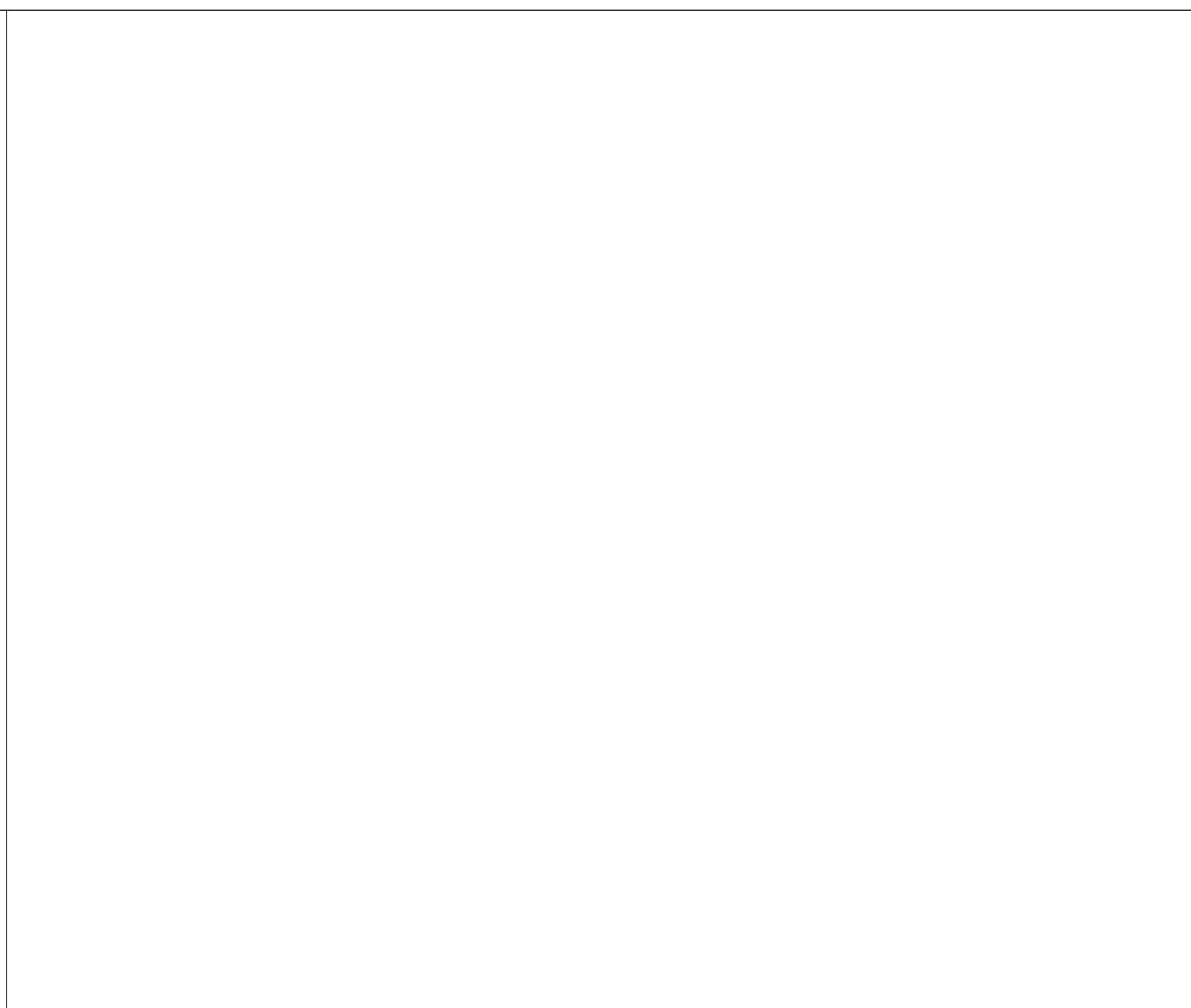
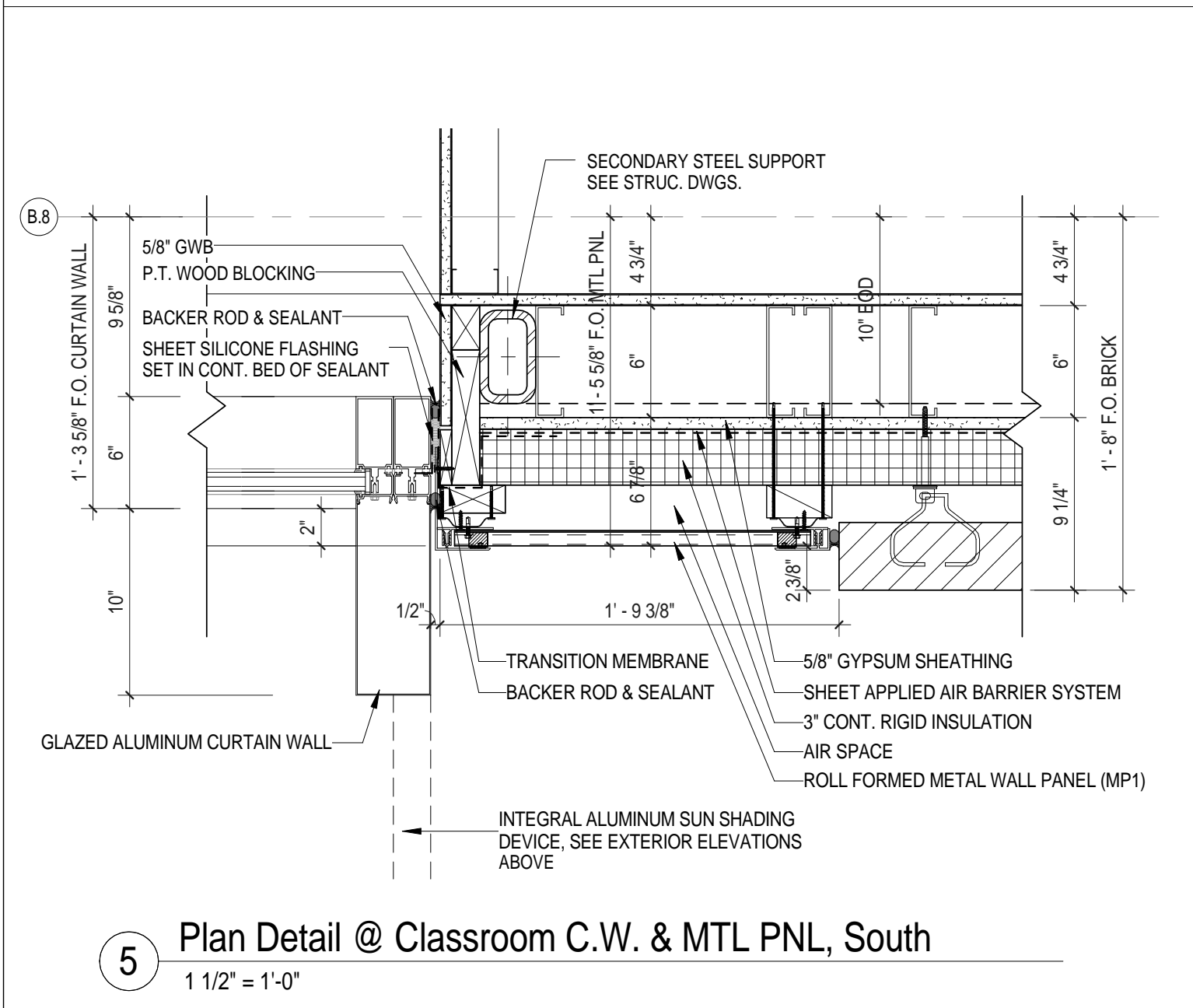
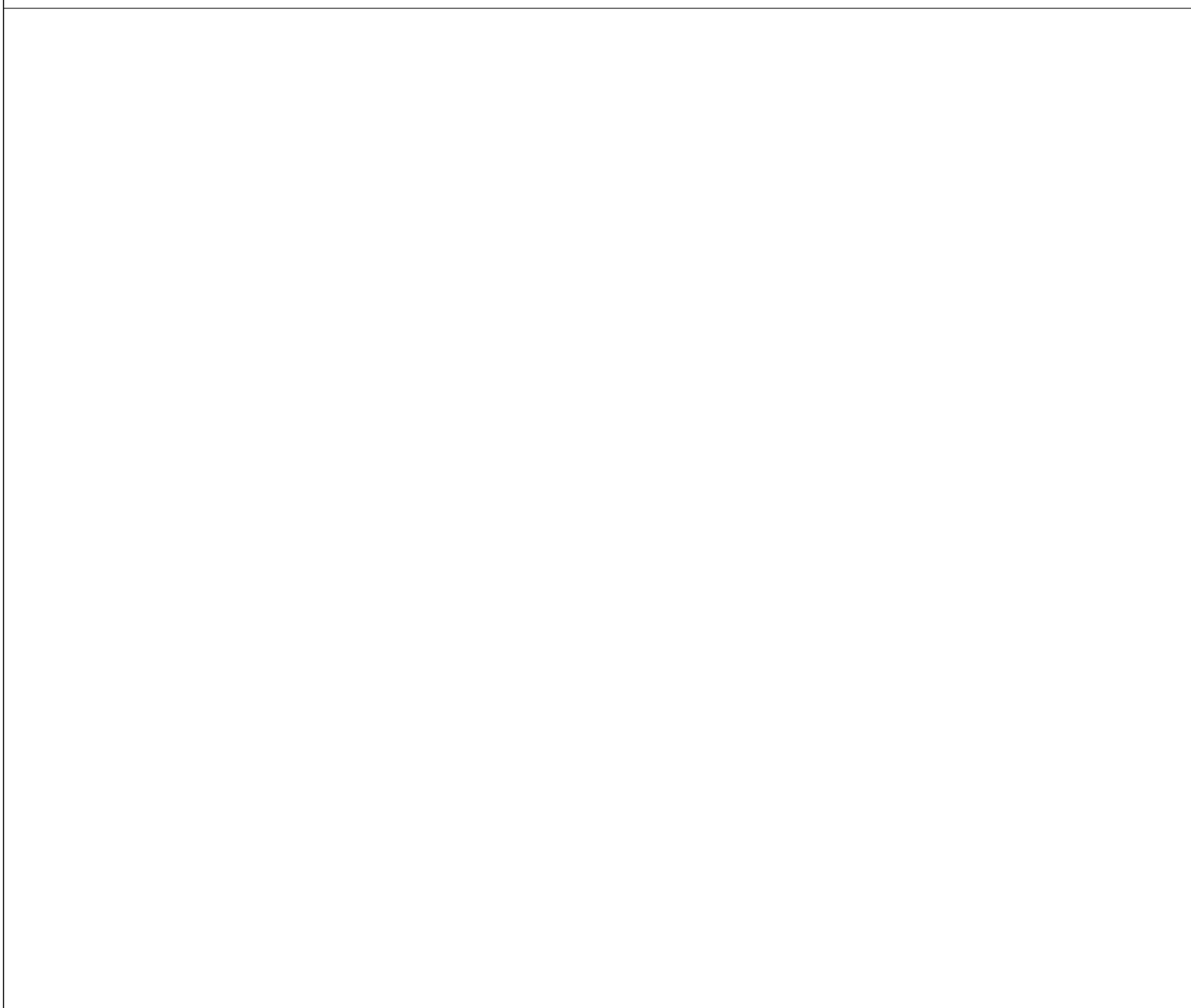
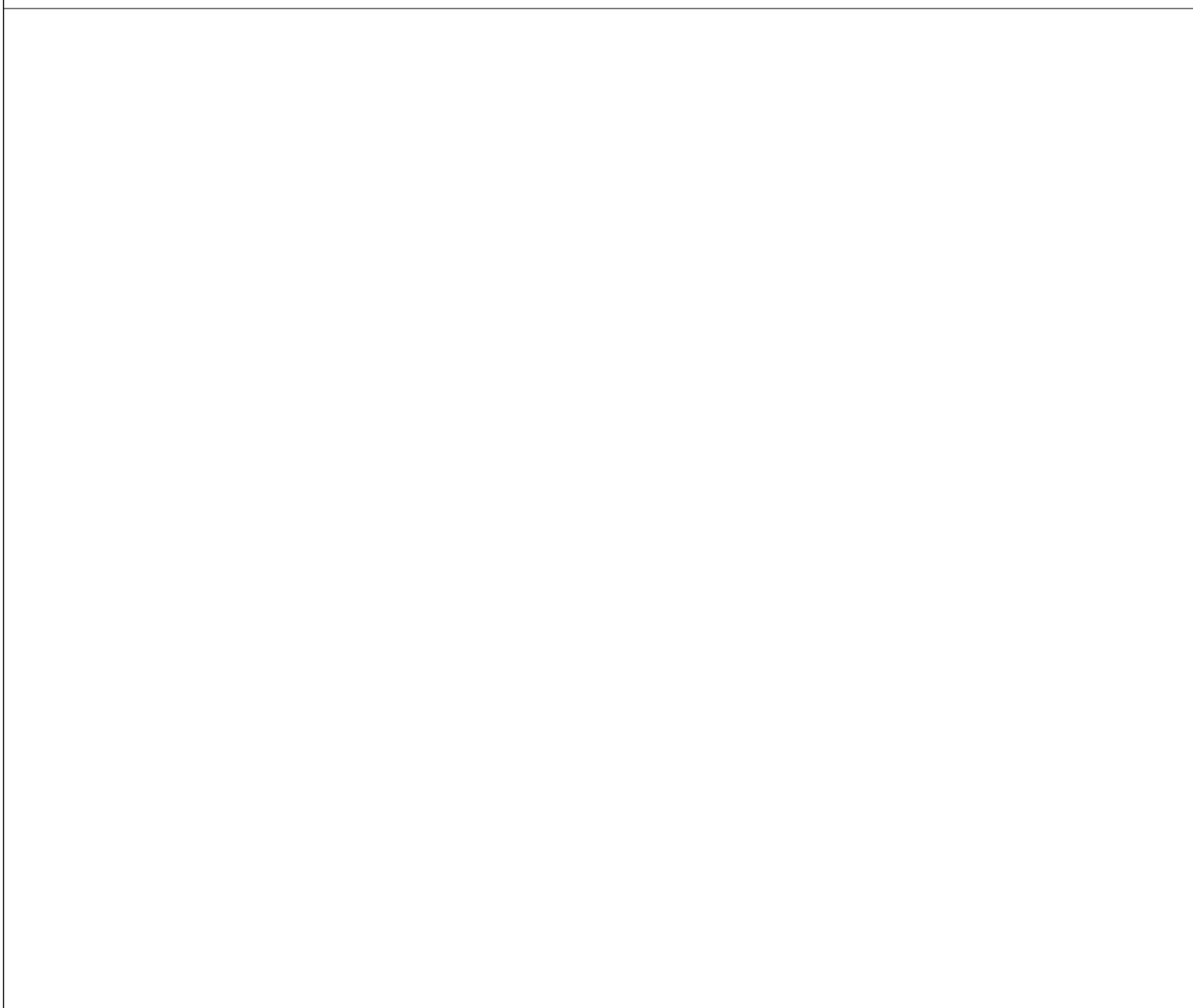
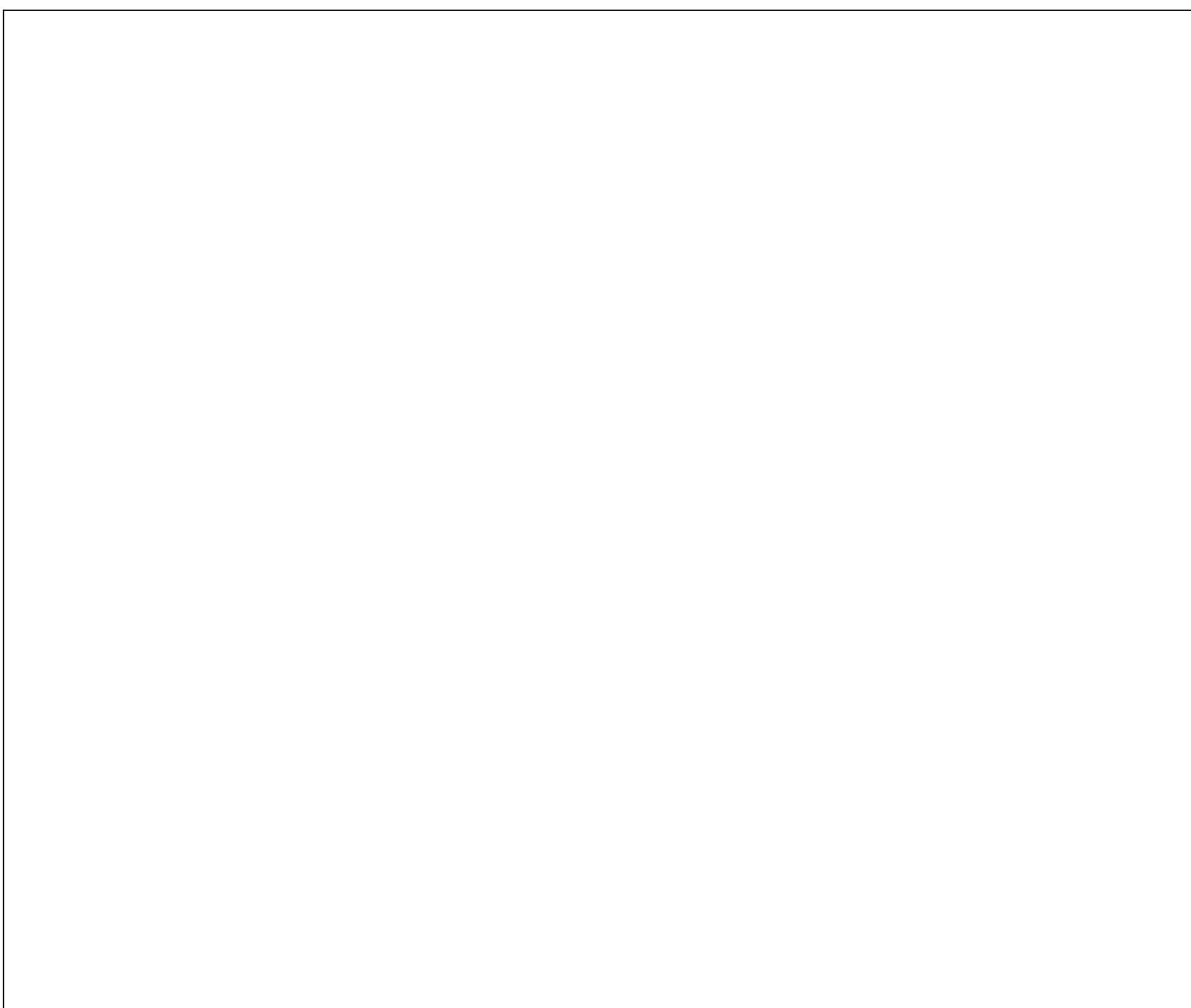
F

D

C

B

6  
5  
4  
3  
2  
1



Architect: **omr architects inc**  
 543 Massachusetts Ave, West Acton, MA 01720  
 www.omr-architects.com t: 978.264.0160

Consulting Engineer:  
 Registration:  
 Project Name and Address:

**Concord-Carlisle Regional High School**  
 500 Walden Street  
 Concord, MA 01742

Issue Submissions:		
No.:	Date:	Description:
2	8/15/2012	Design Development Submission

Title: **Exterior Plan Details**  
 Project No.: **1102.00**  
 Drawing No.: **A6.1**  
 Date: August 15, 2012 Scale: 1 1/2" = 1'-0"  
 Drawn: JL Checked: jfr/s  
 © omr architects inc

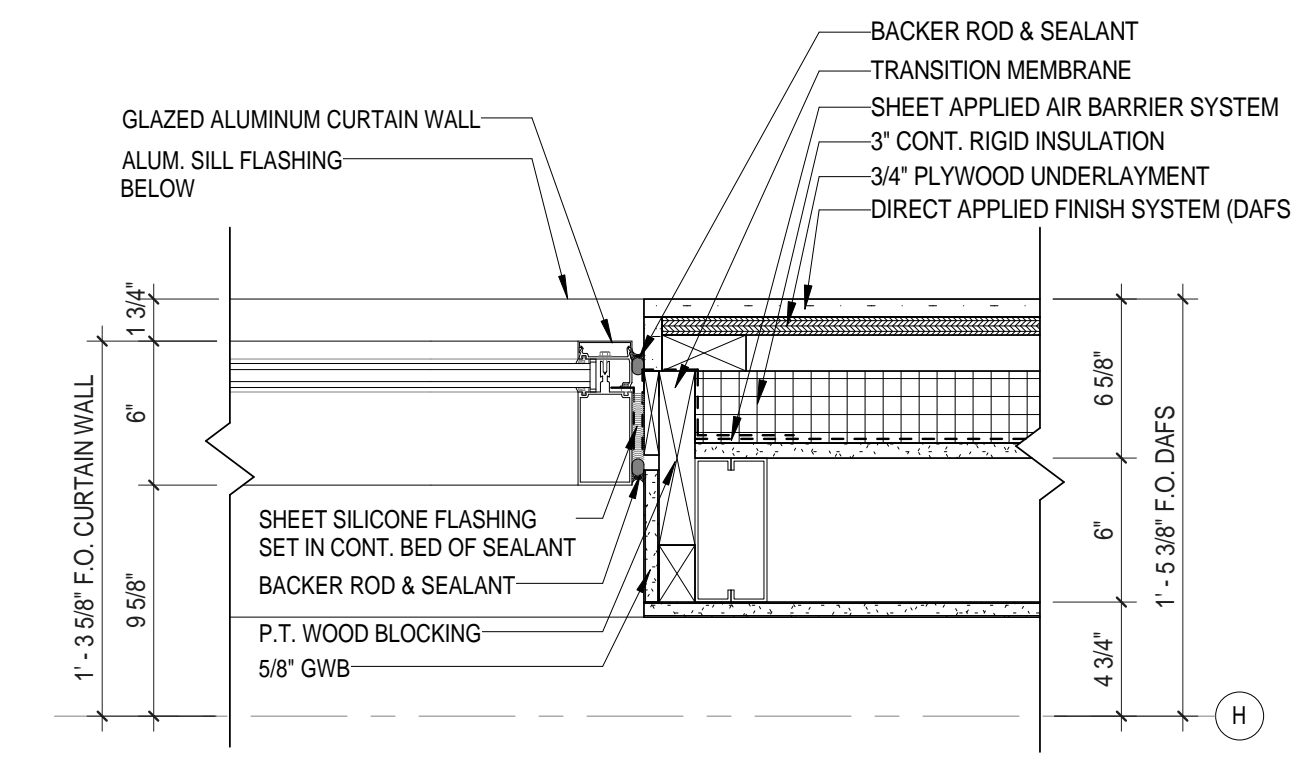
C:\Users\jfr\Documents\Concord-Carlisle HS CENTRAL.dwg  
 Printed: 8/10/2012 1:22:33 PM  
 User: jfr

F

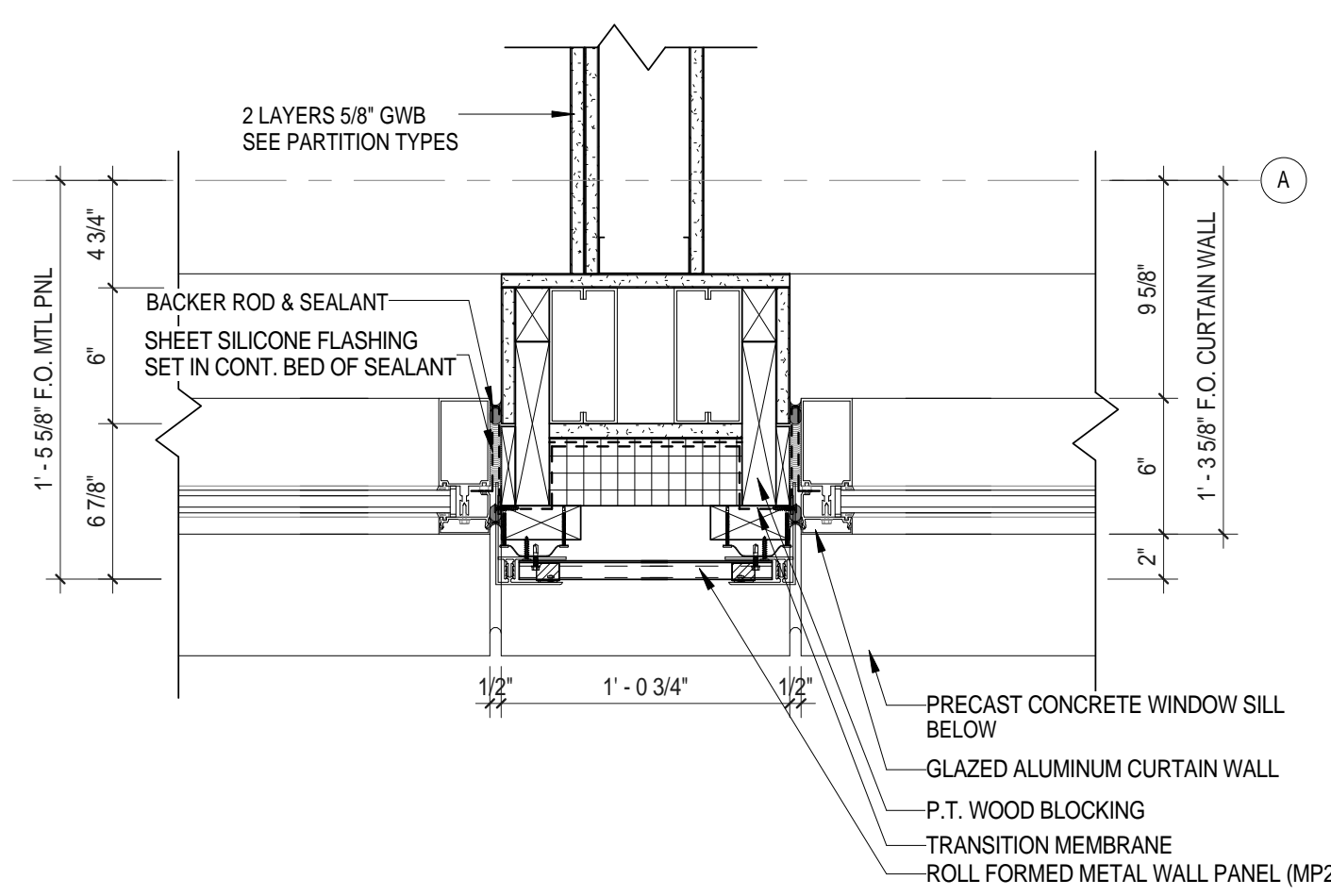
D

C

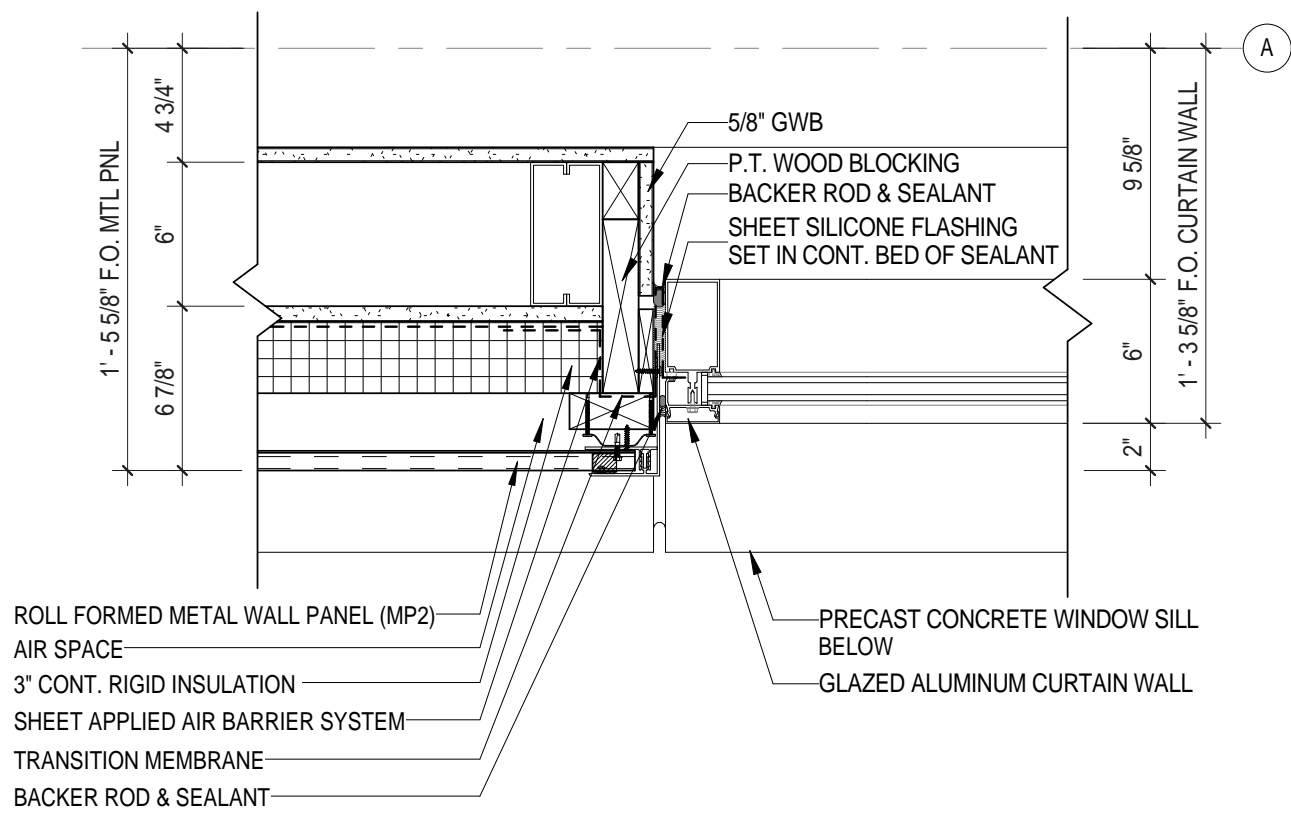
B



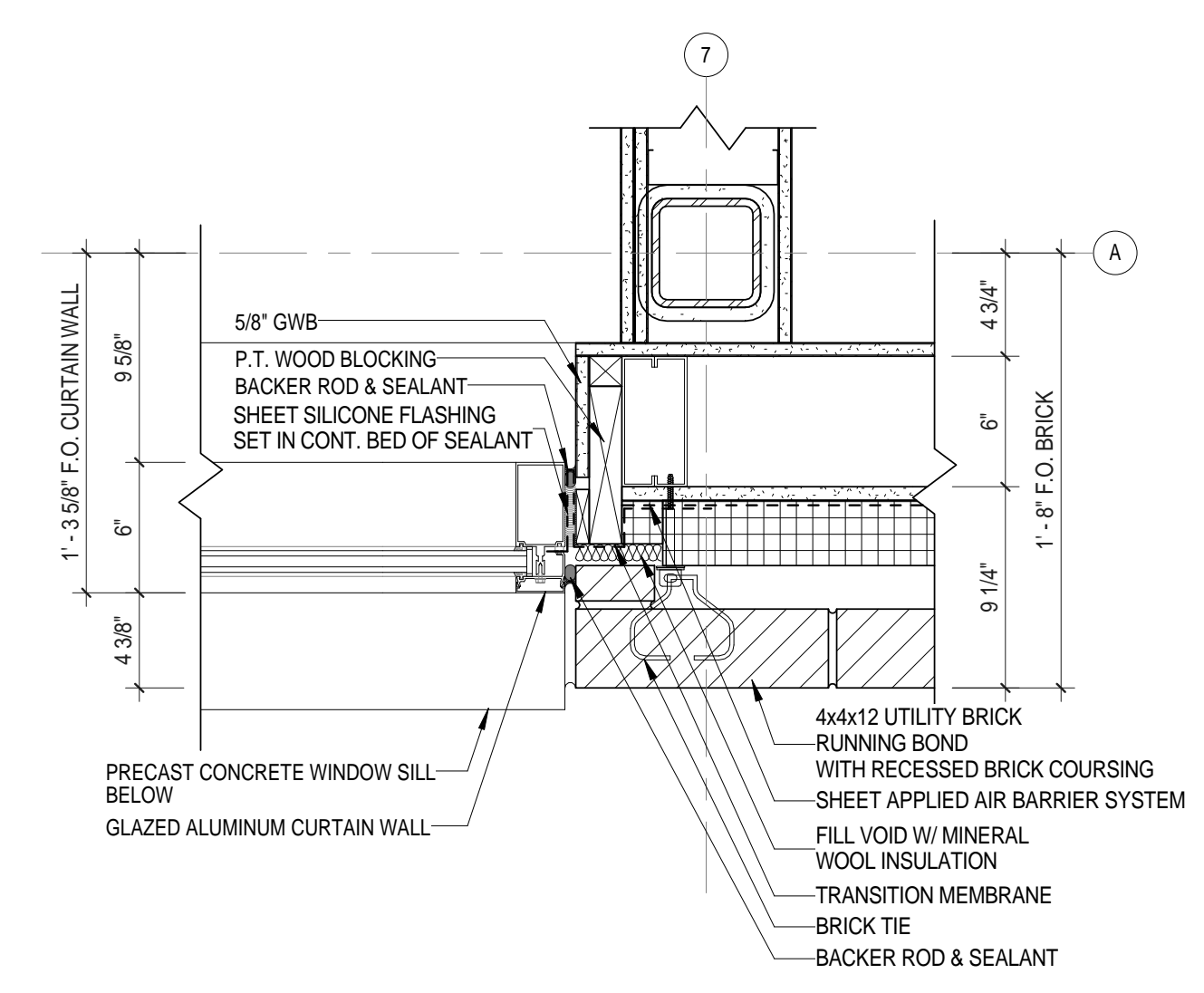
10 Plan Detail @ Curtain Wall Jamb at DAFS  
1 1/2" = 1'-0"



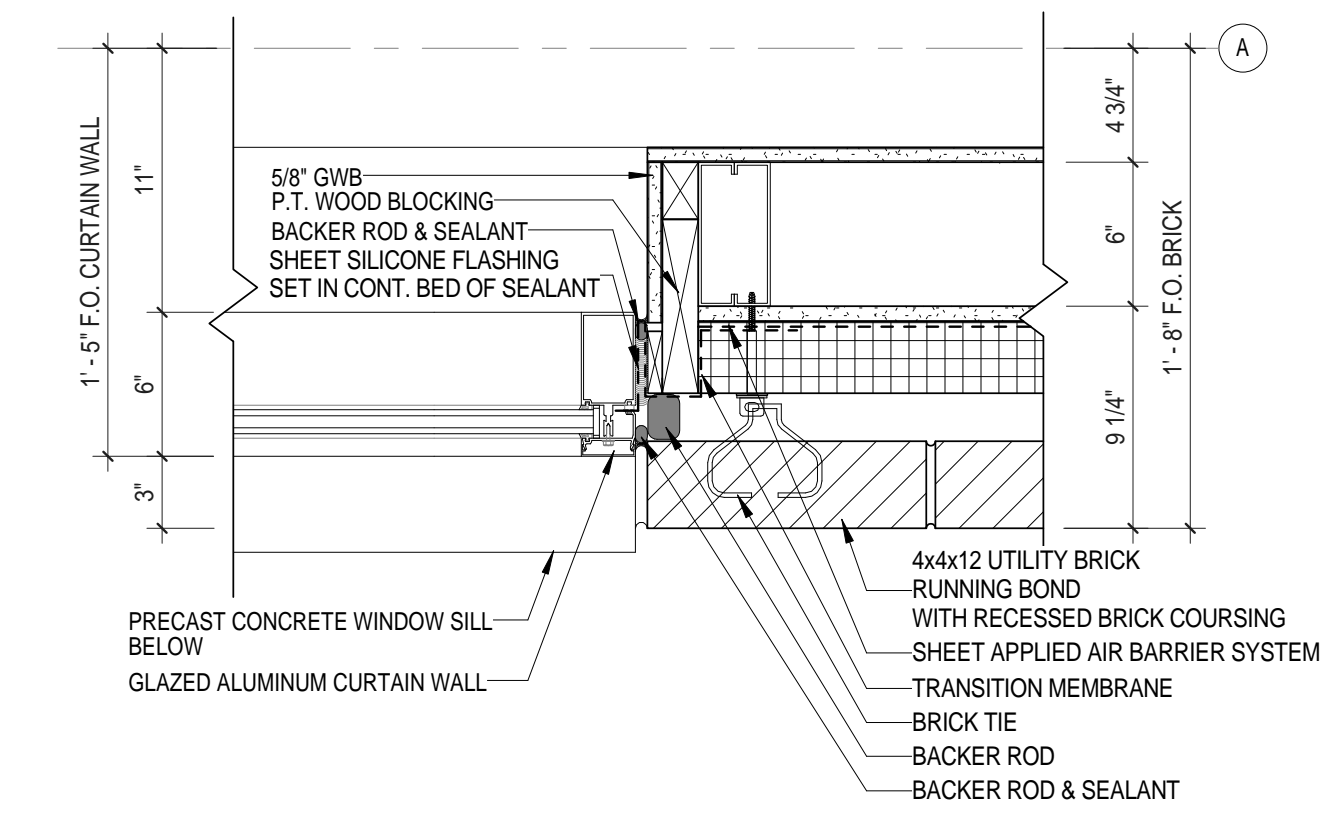
9 Plan Detail @ Interior Partition/ Mullion Intersection at Office  
1 1/2" = 1'-0"



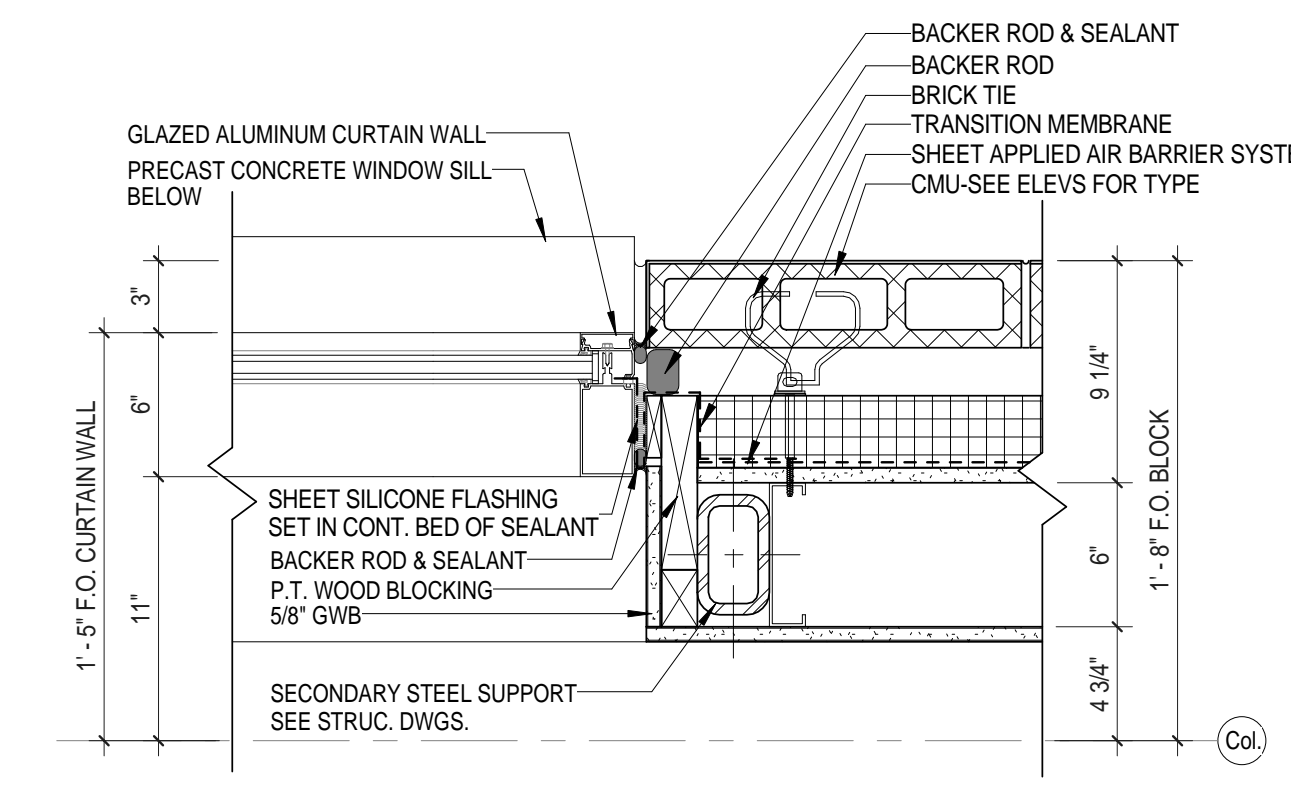
8 Plan Detail @ Office C.W. Jamb at MTL PNL  
1 1/2" = 1'-0"



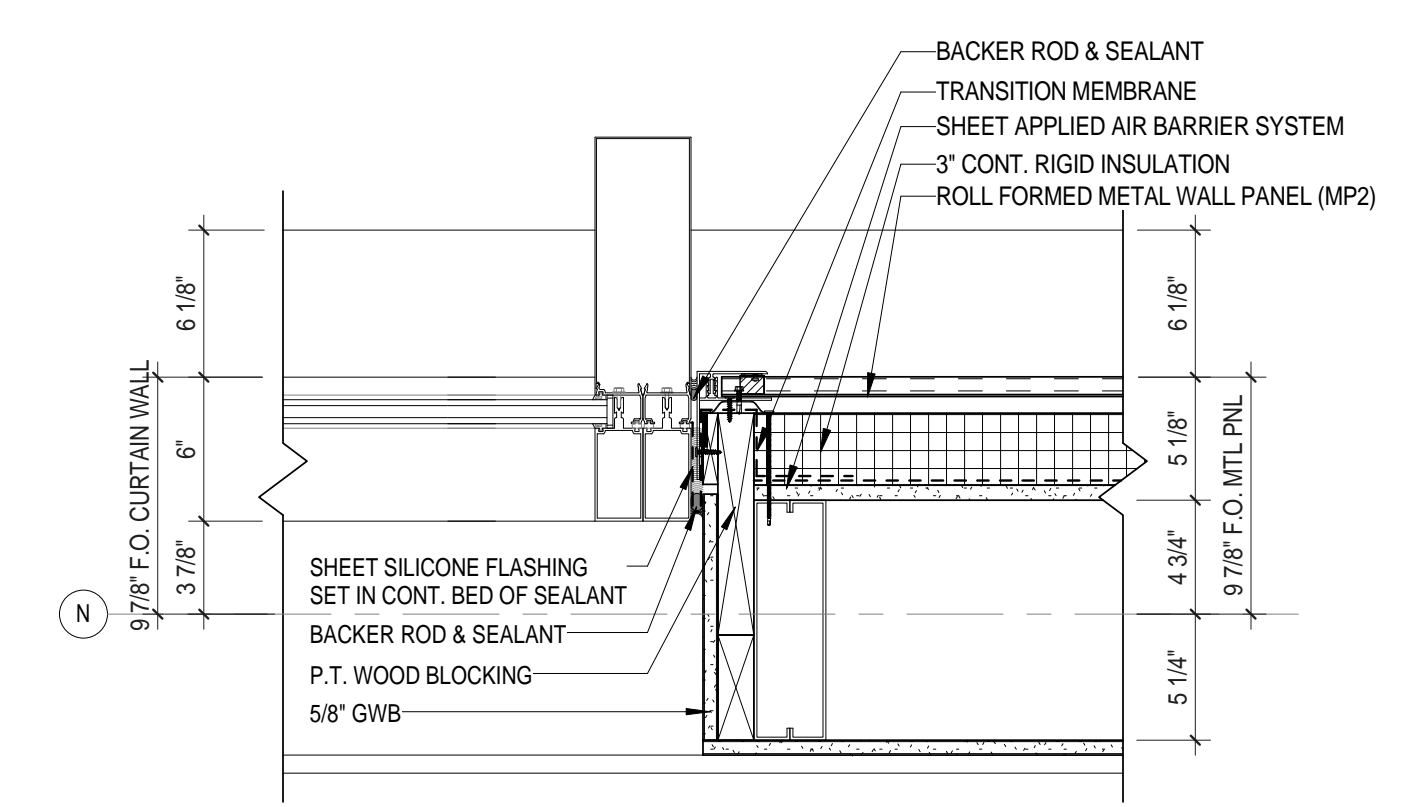
7 Plan Detail @ Recessed Office C.W. Jamb at Brick  
1 1/2" = 1'-0"



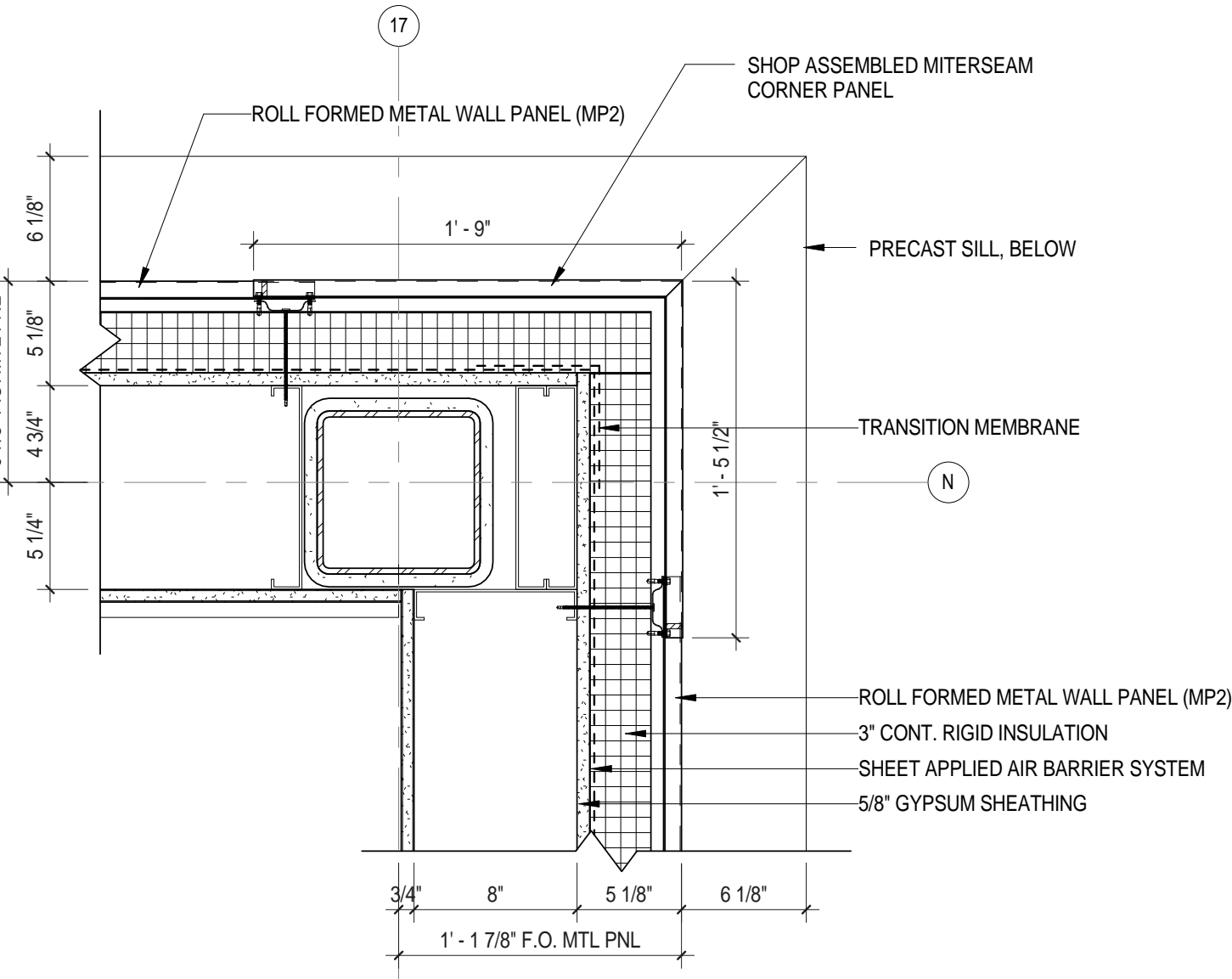
6 Plan Detail @ Office C.W. Jamb at Brick  
1 1/2" = 1'-0"



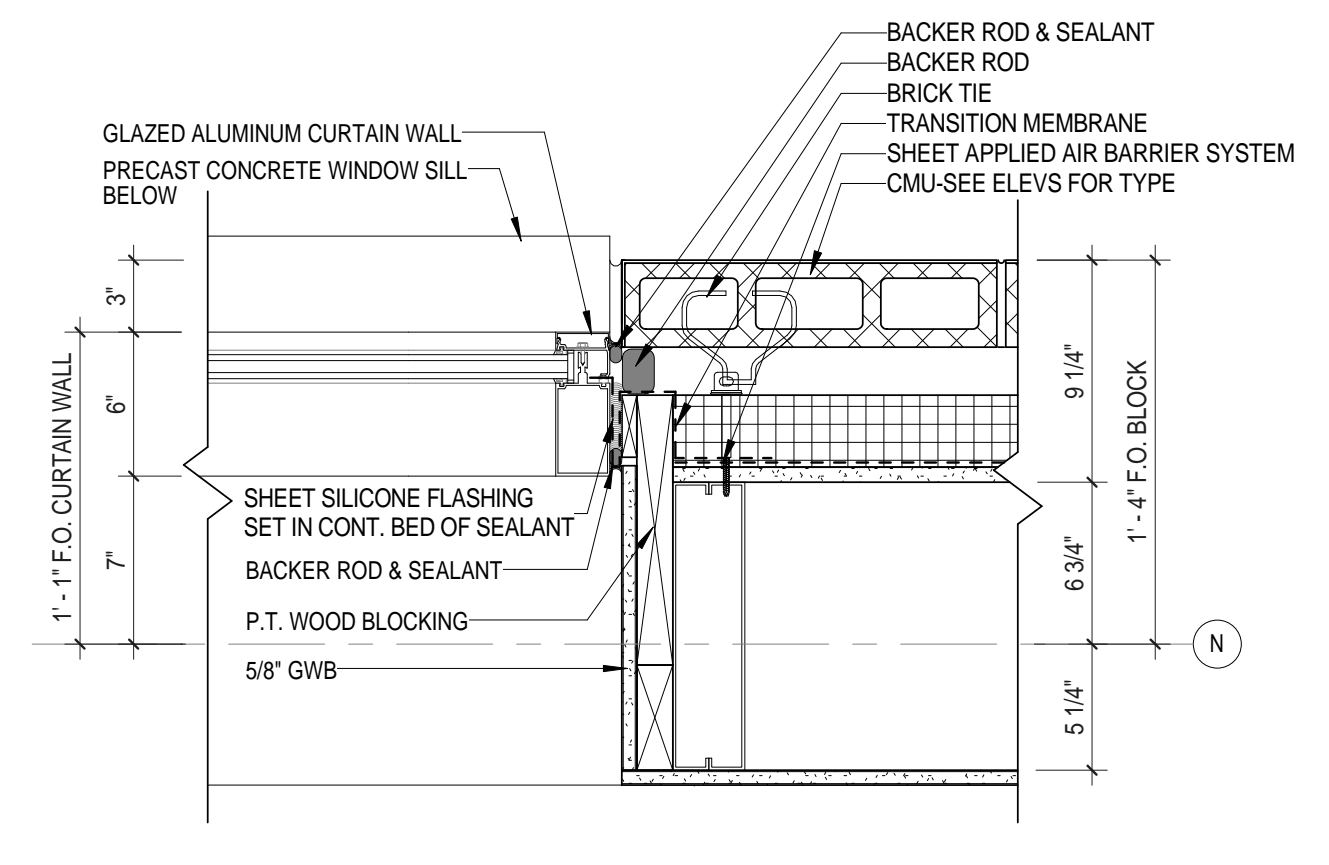
5 Plan Detail @ Large Curtain Wall Jamb at Block  
1 1/2" = 1'-0"



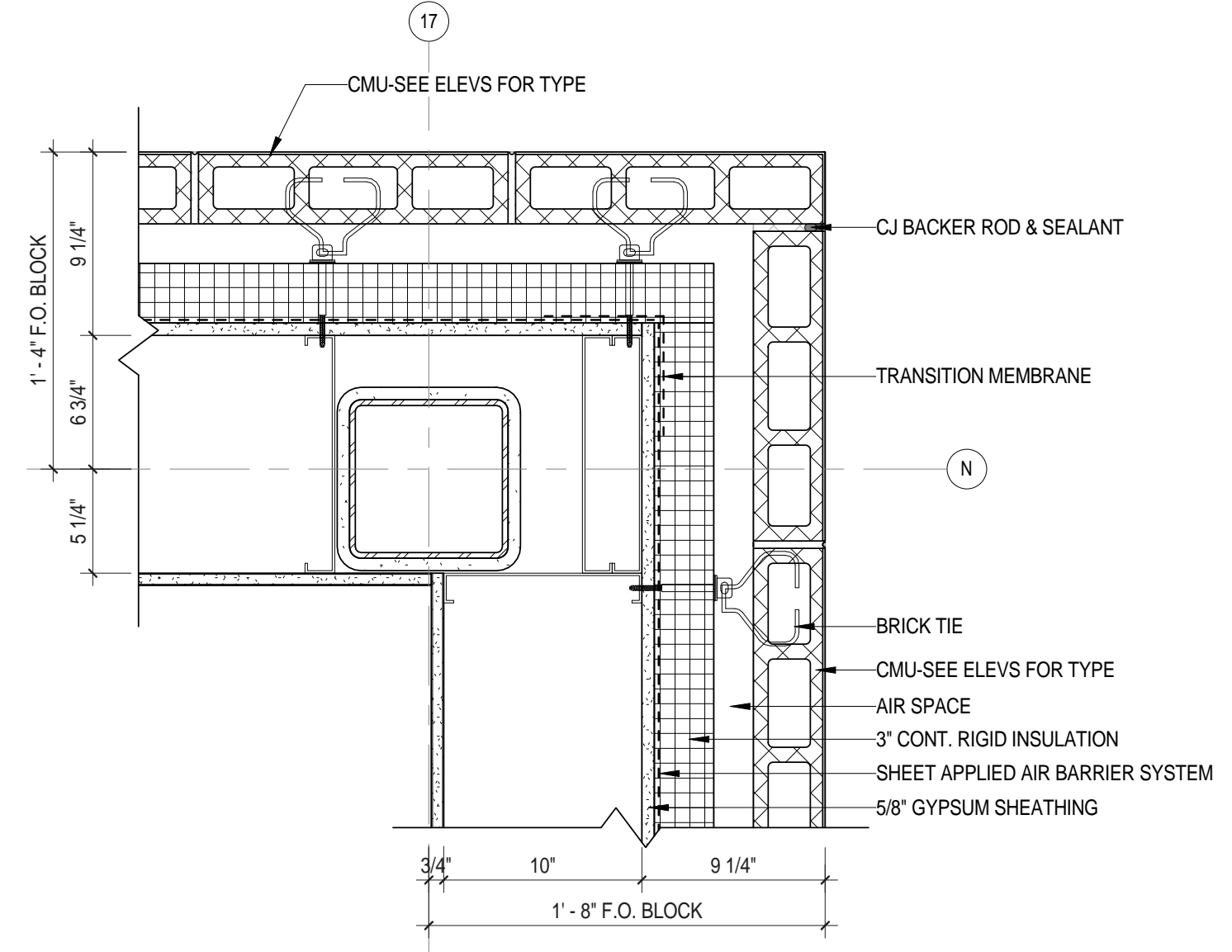
4 Plan Detail @ Choral Room C.W. Jamb at Clerestory  
1 1/2" = 1'-0"



3 Plan Detail @ Choral Room Corner at Clerestory  
1 1/2" = 1'-0"



2 Plan Detail @ Curtain Wall Jamb at Block  
1 1/2" = 1'-0"

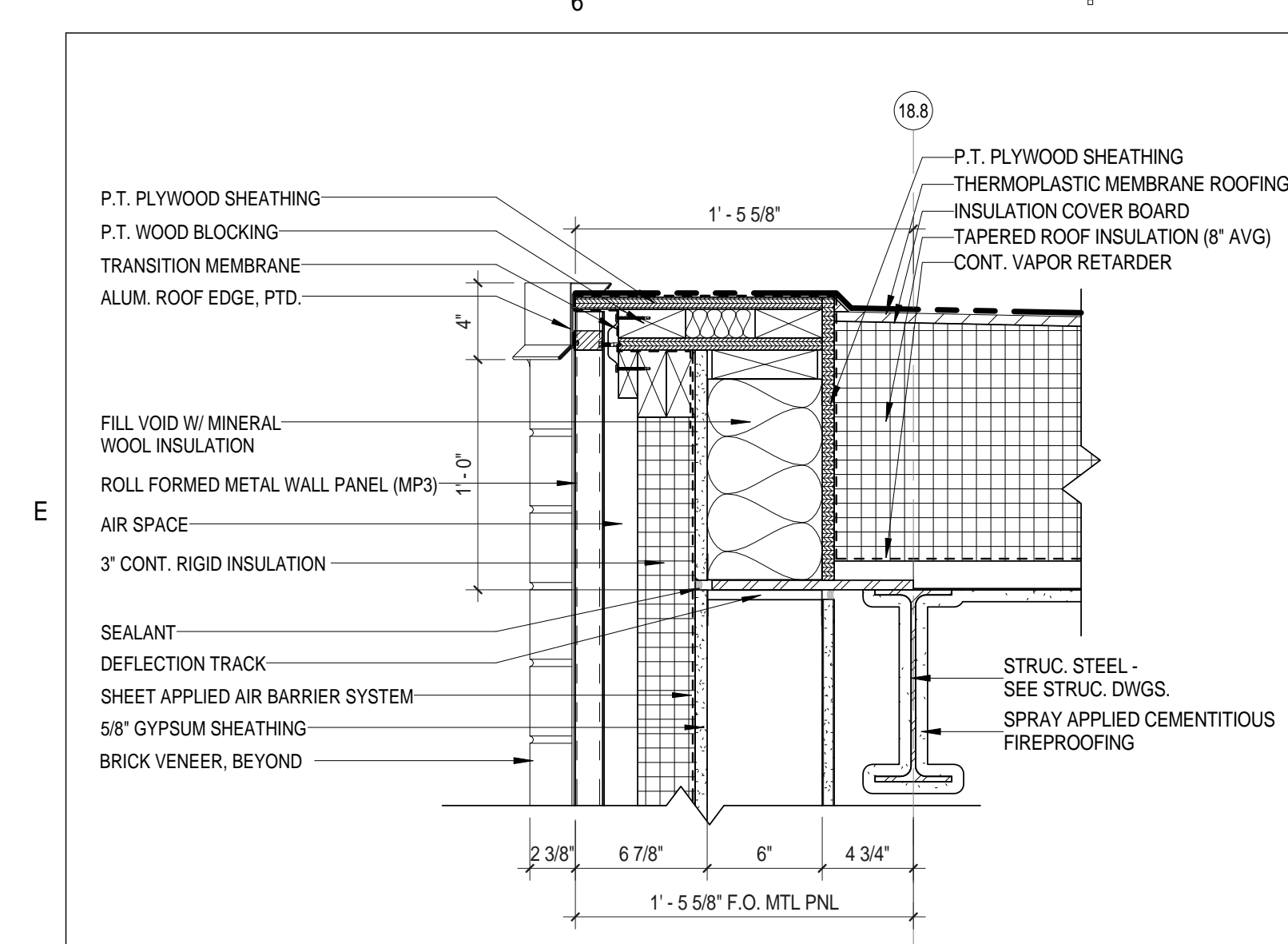


1 Plan Detail @ Choral Room Corner CMU  
1 1/2" = 1'-0"

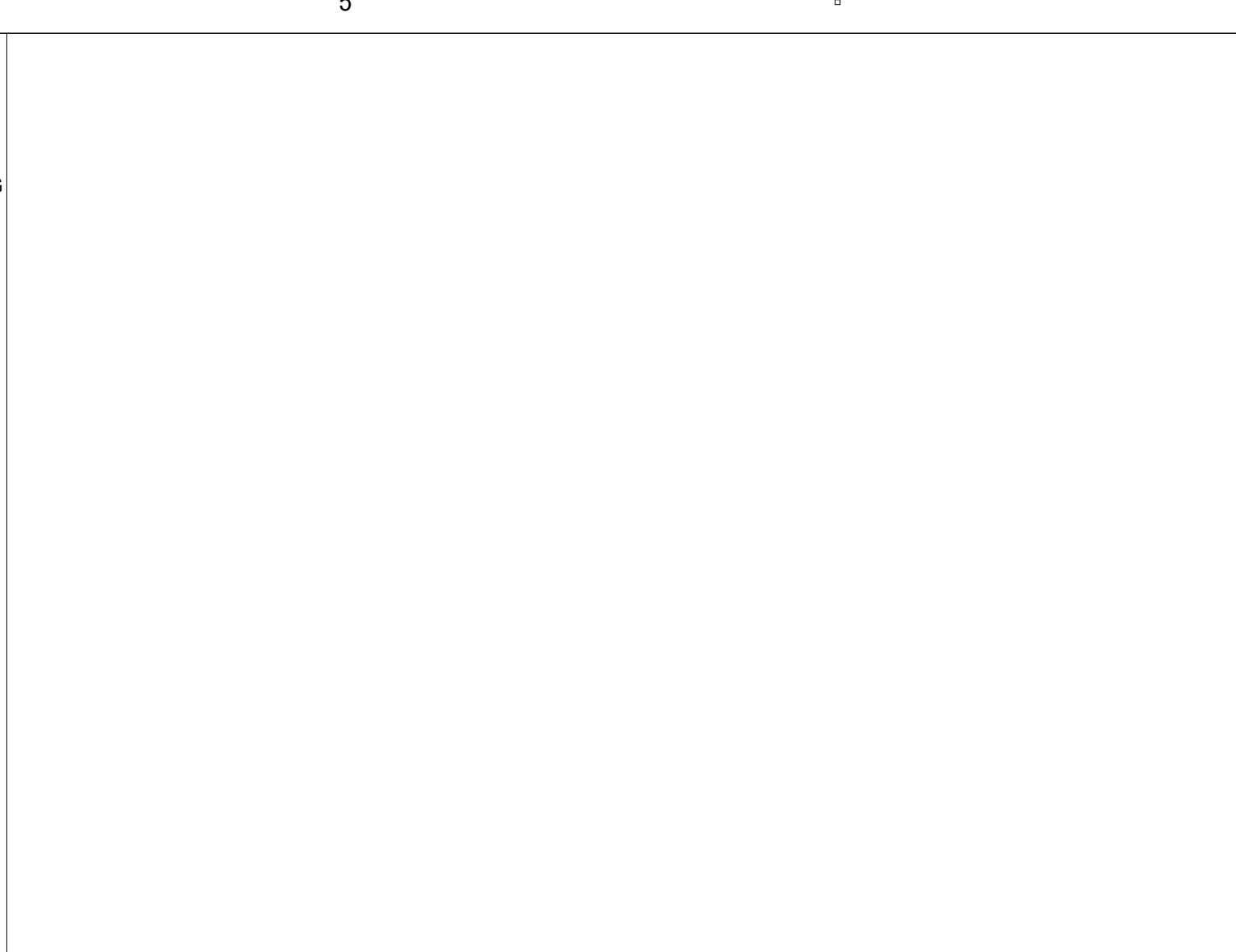
C:\Users\jfr\Documents\Concord-Carlisle HS CENTRAL.dwg  
 Printed: 8/10/2012 1:20:27 PM  
 User: jfr

Architect:  543 Massachusetts Ave, West Acton, MA 01720 www.omr-architects.com t: 978.264.0160	Consulting Engineer:	Registration: 	Project Name and Address: <h2 style="text-align: center;">Concord-Carlisle Regional High School</h2> <p style="text-align: center;">500 Walden Street Concord, MA 01742</p>	Issue Submissions: <table border="1" style="width:100%; border-collapse: collapse;"> <thead> <tr> <th>No.</th> <th>Date</th> <th>Description</th> </tr> </thead> <tbody> <tr> <td>2</td> <td>8/15/2012</td> <td>Design Development Submission</td> </tr> </tbody> </table>	No.	Date	Description	2	8/15/2012	Design Development Submission	Title: <h3 style="text-align: center;">Exterior Plan Details</h3>	Project No.: <b>1102.00</b> Drawing No.: <h2 style="text-align: center;">A6.2</h2>
No.	Date	Description										
2	8/15/2012	Design Development Submission										
Date: August 15, 2012		Scale: 1 1/2" = 1'-0"	Drawn: JL	Checked: jfr/rls	© omr architects inc							

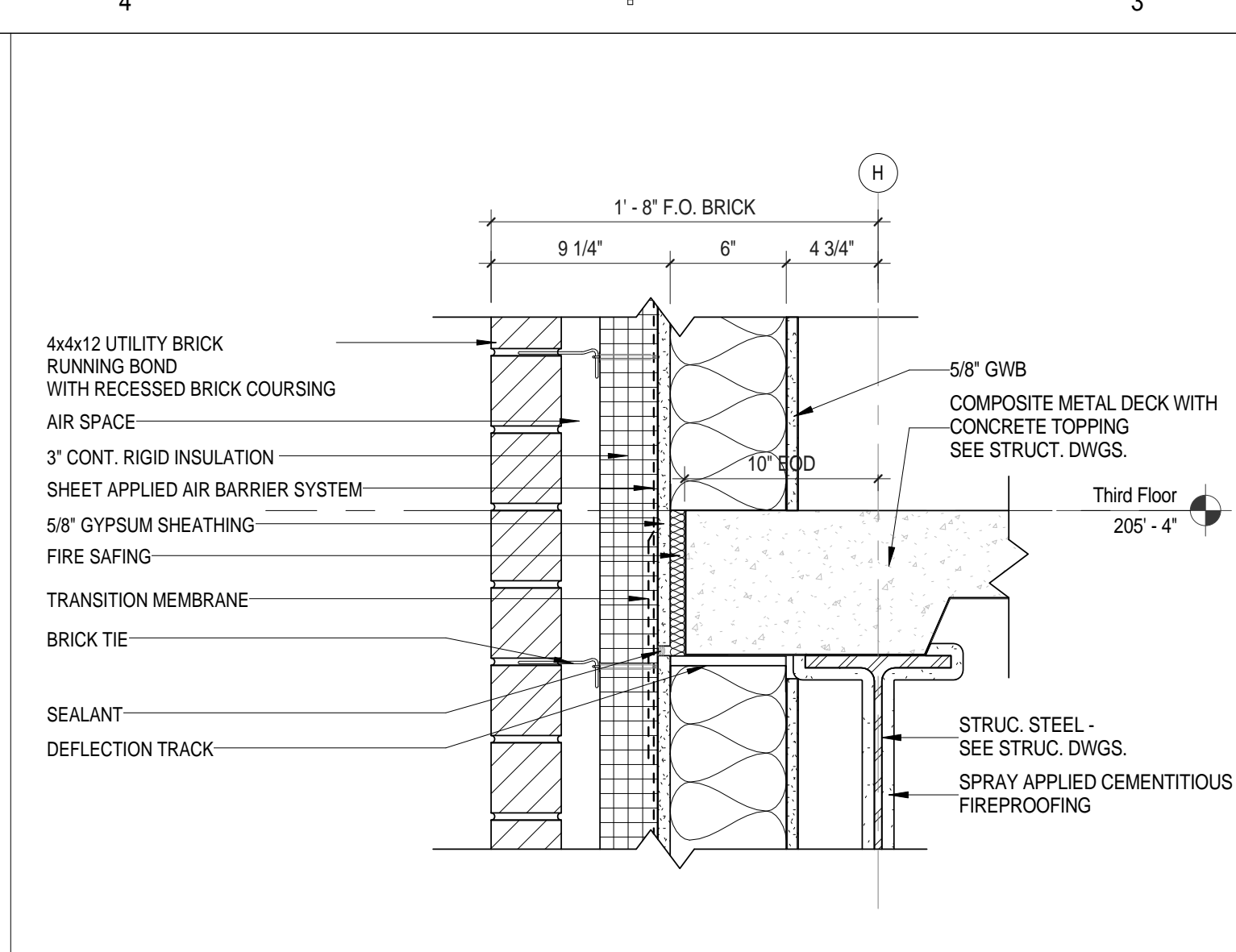




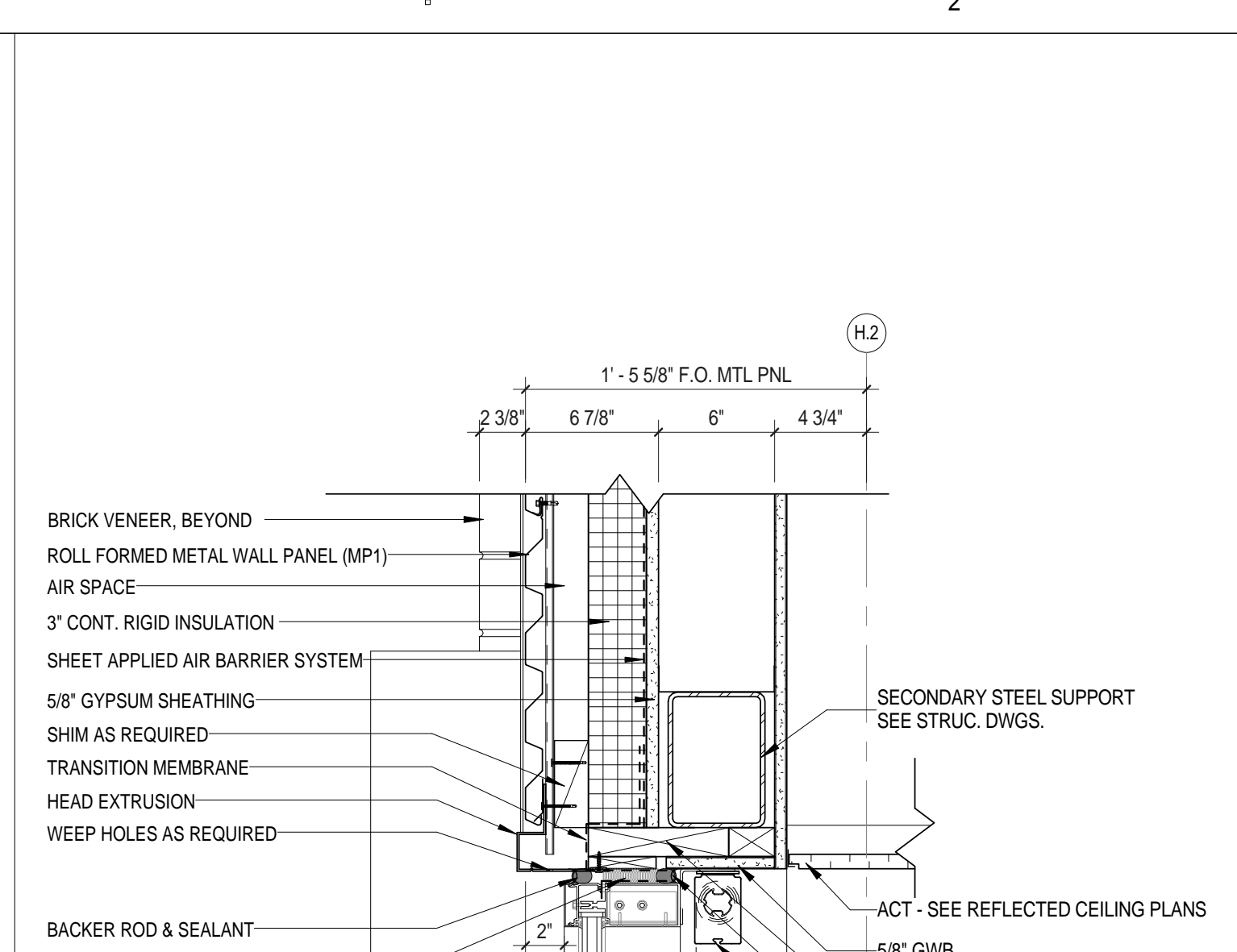
16 Roof Edge @ MTL PNL of Classroom Wing  
1 1/2" = 1'-0"



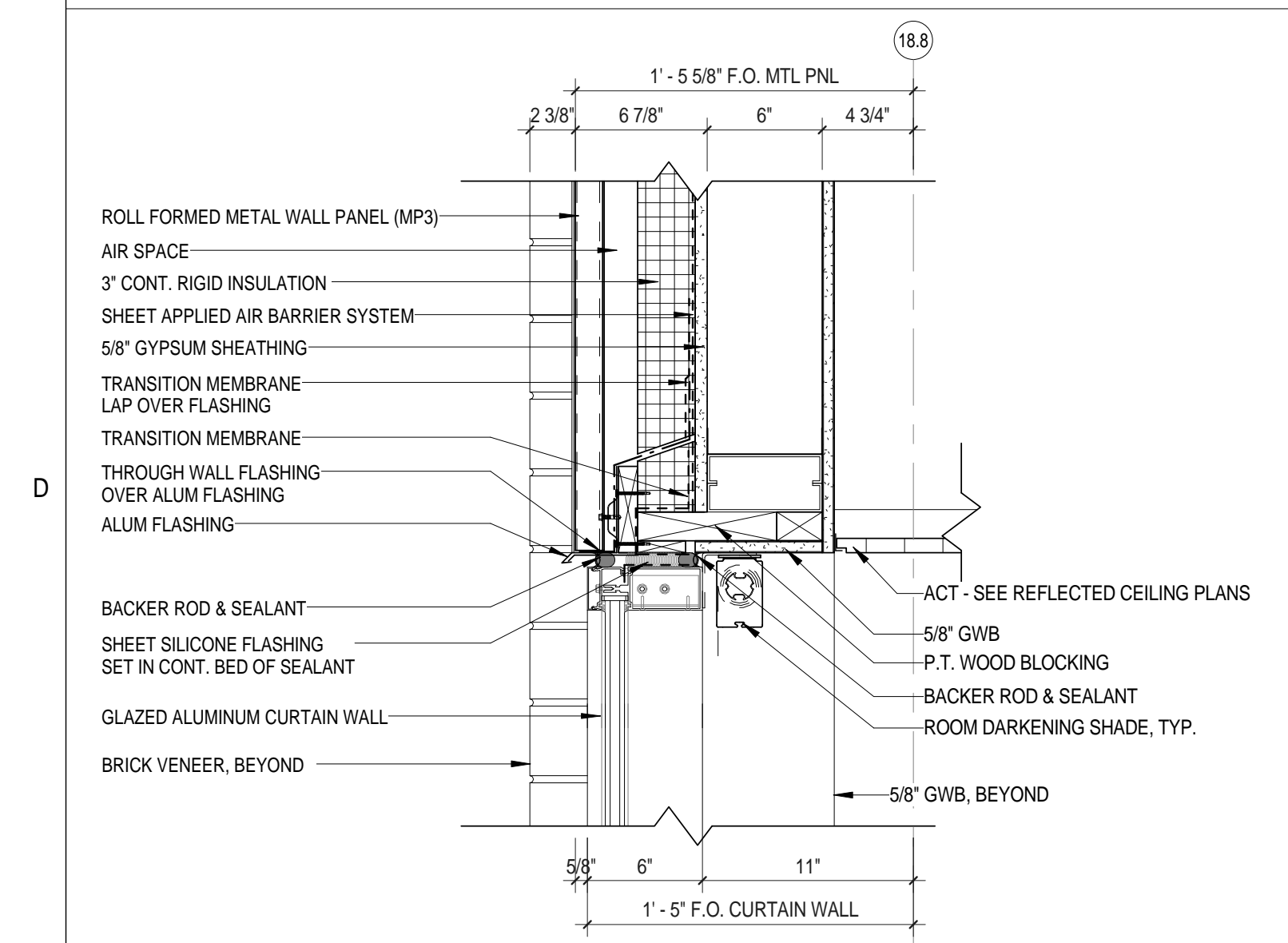
9 Typical Slab Edge @ Brick Wall  
1 1/2" = 1'-0"



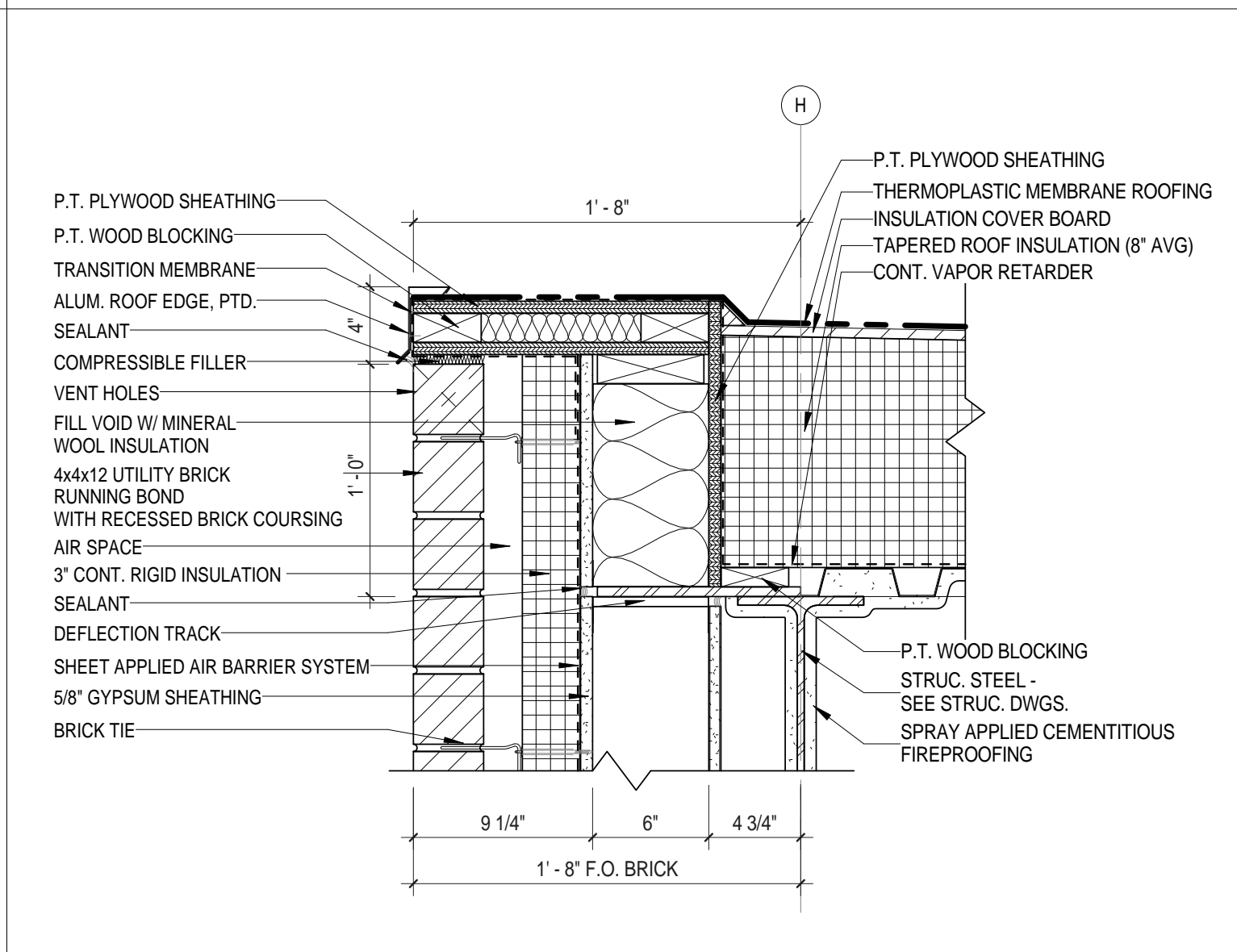
5 Curtain Wall Head @ Fourth Floor Level  
1 1/2" = 1'-0"



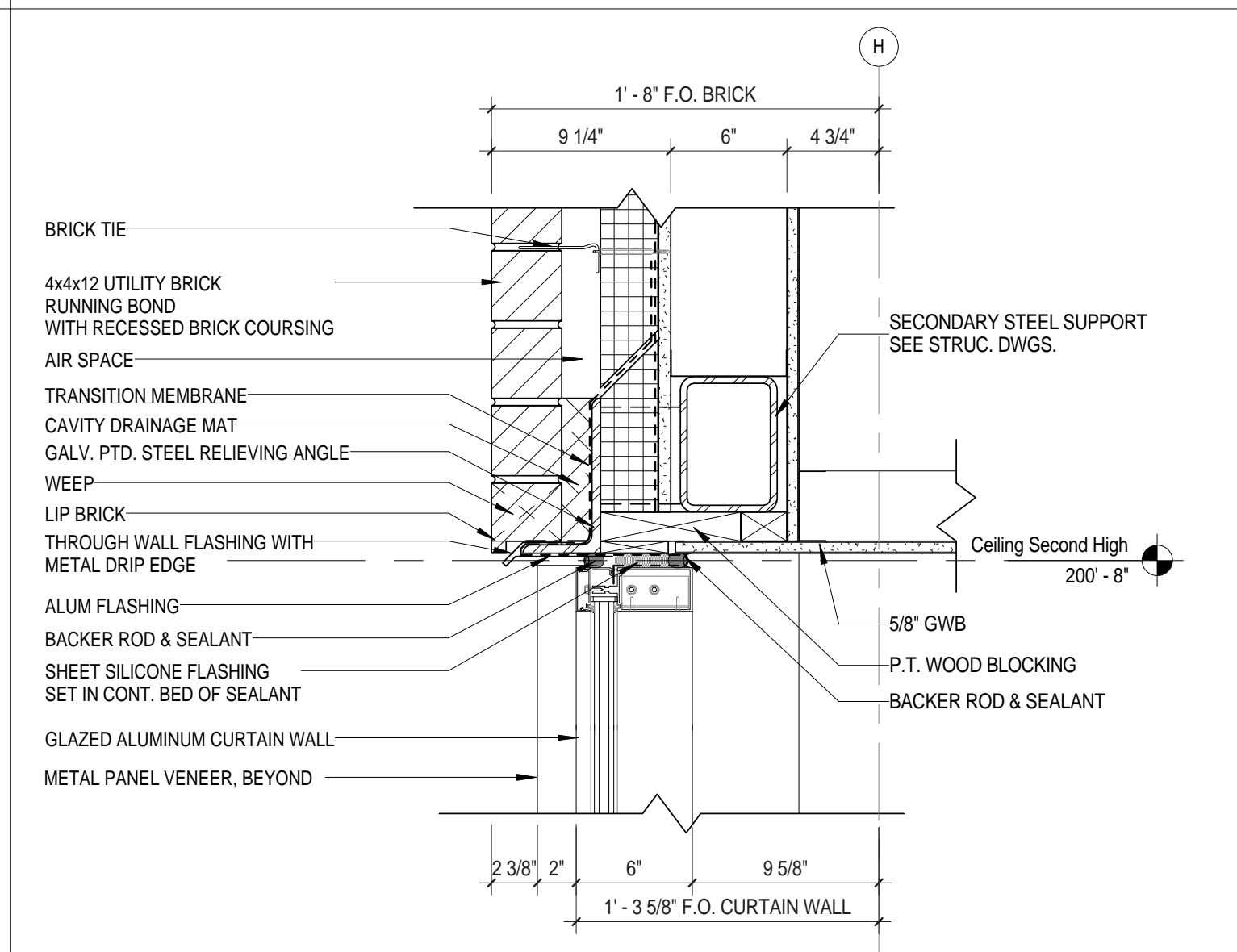
3 Curtain Wall Head @ Third Floor Level  
1 1/2" = 1'-0"



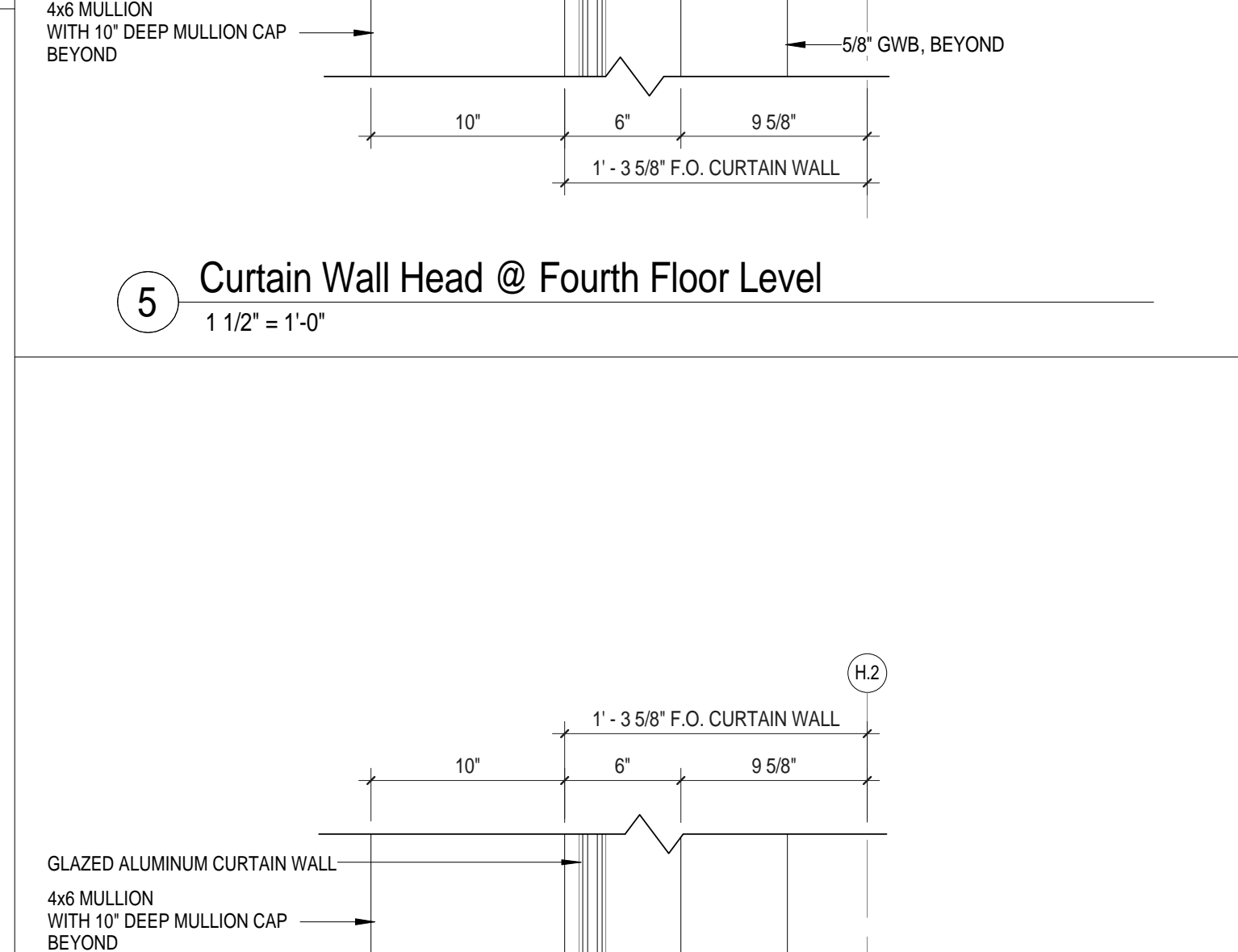
15 Curtain Wall Head @ MTL PNL of Classroom Wing  
1 1/2" = 1'-0"



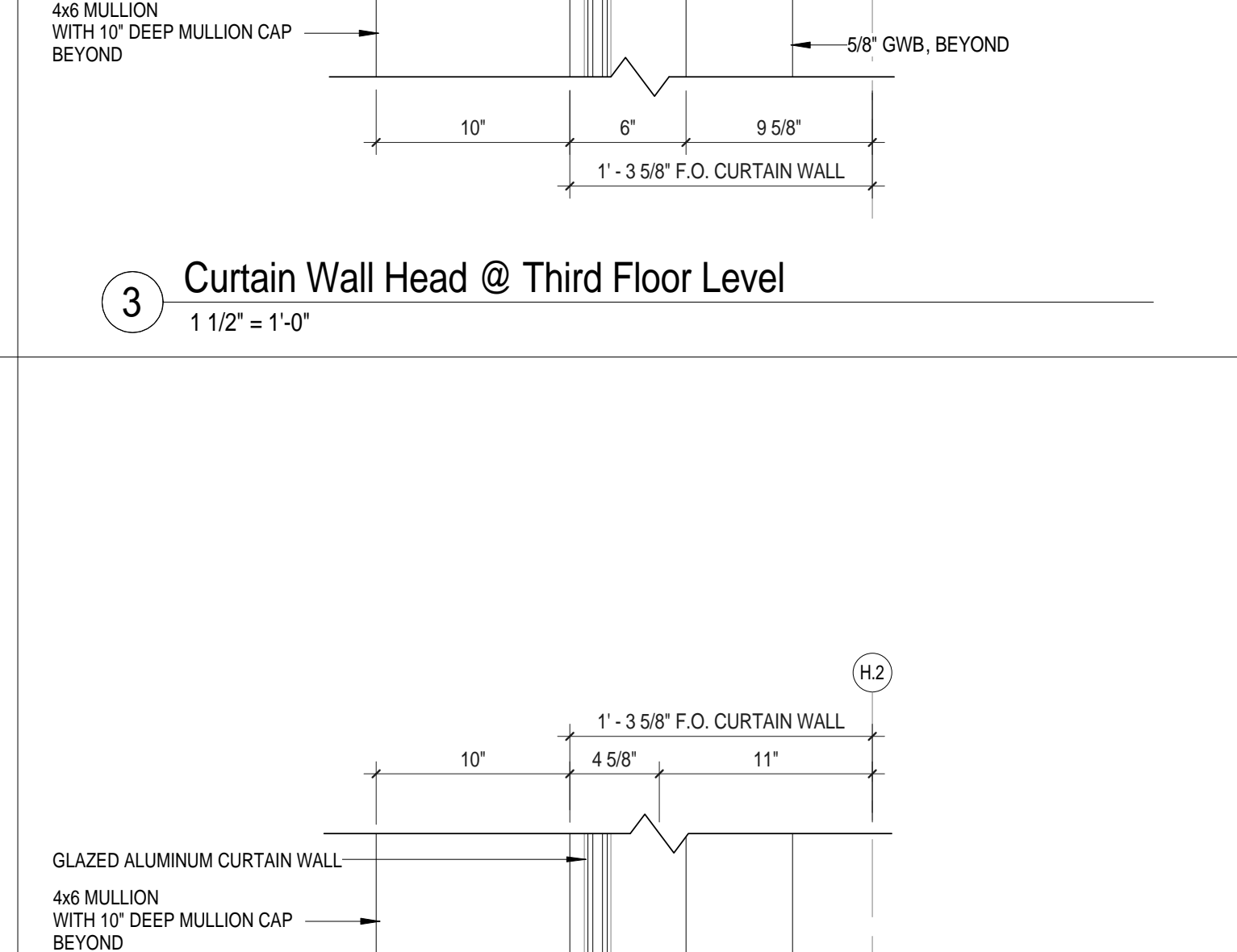
12 Roof Edge @ Brick Wall  
1 1/2" = 1'-0"



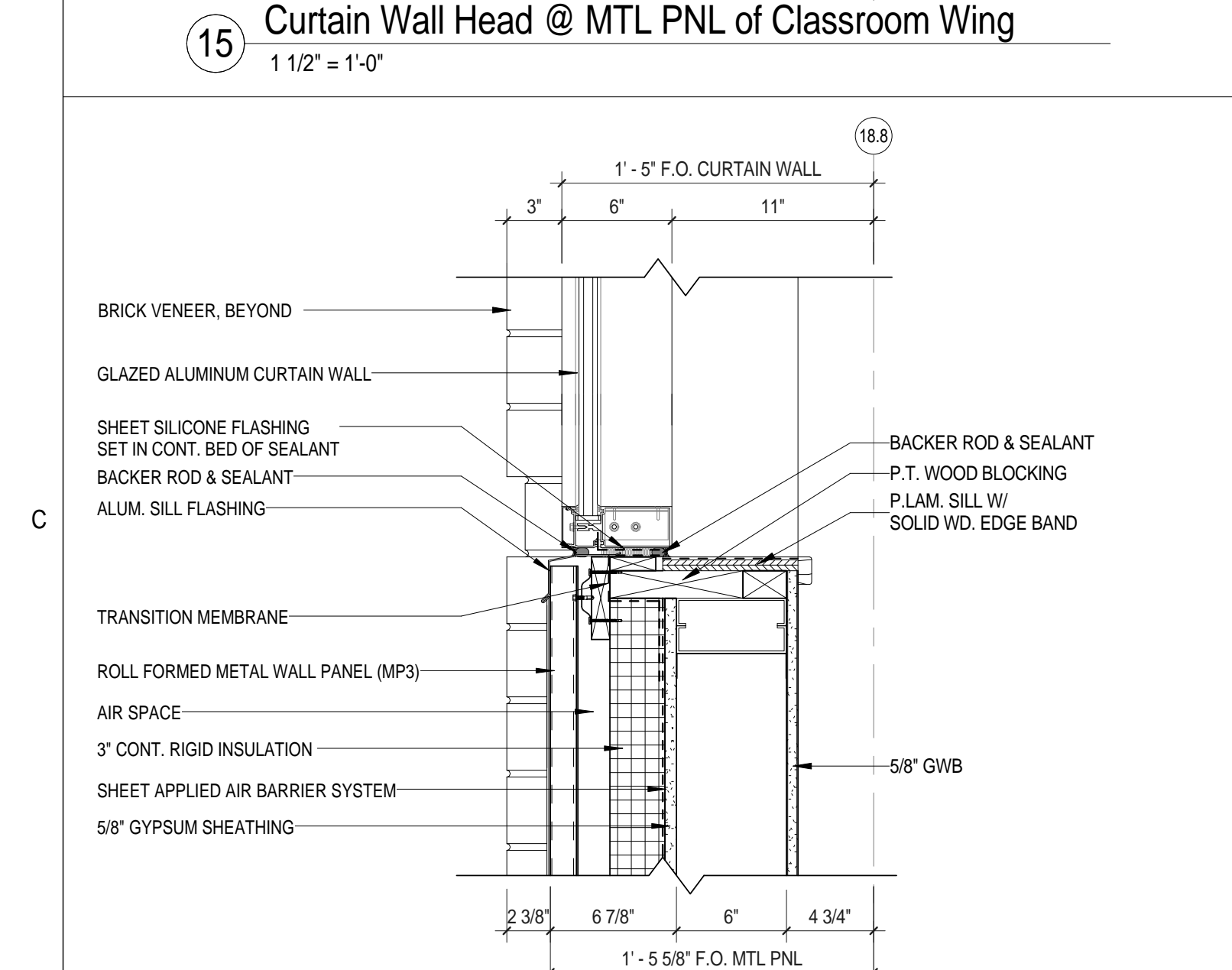
8 Cafeteria Curtain Wall Head  
1 1/2" = 1'-0"



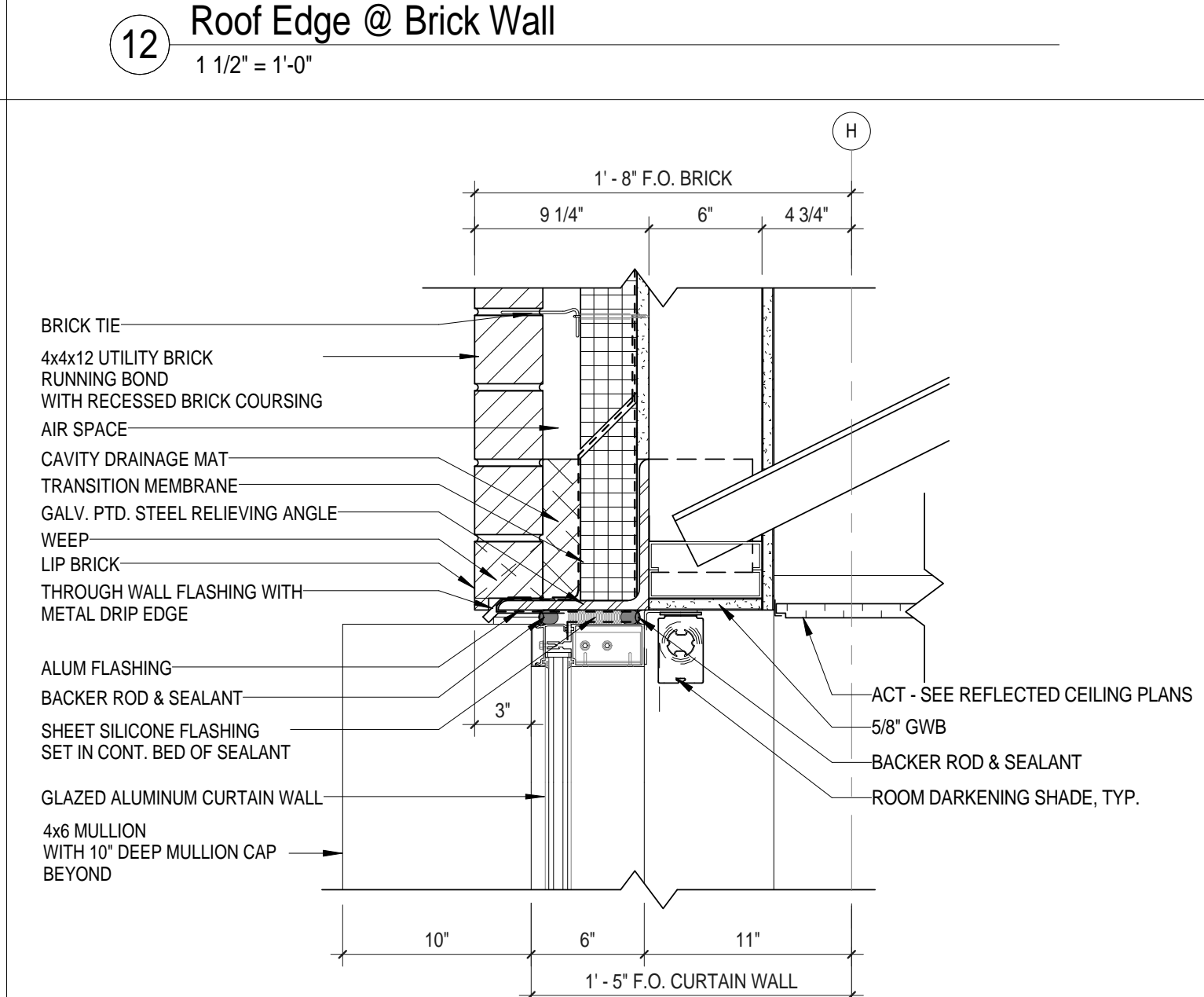
4 Curtain Wall Transom Sill @ Fourth Floor Level  
1 1/2" = 1'-0"



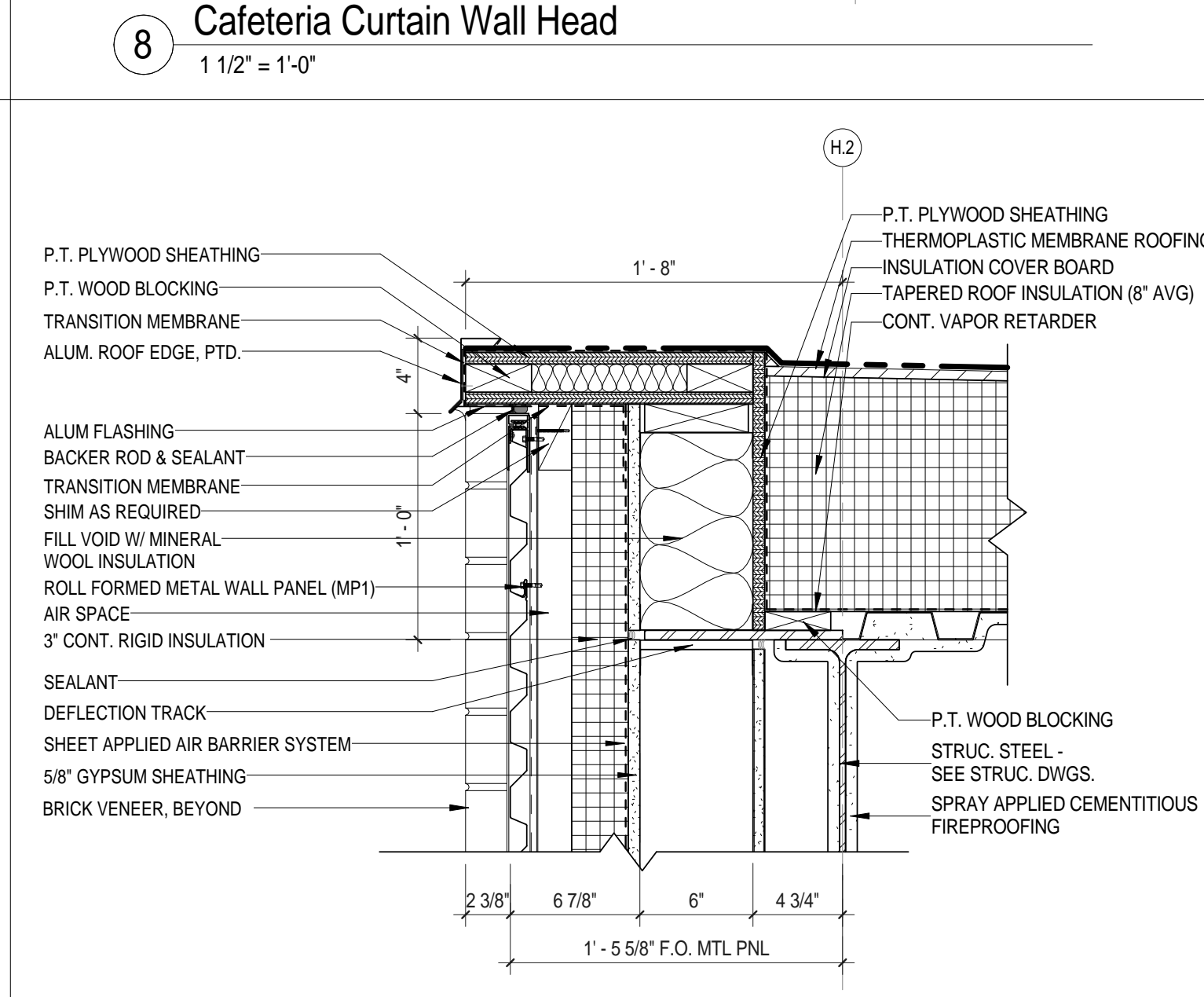
2 Curtain Wall Transom Sill @ Third Floor Level  
1 1/2" = 1'-0"



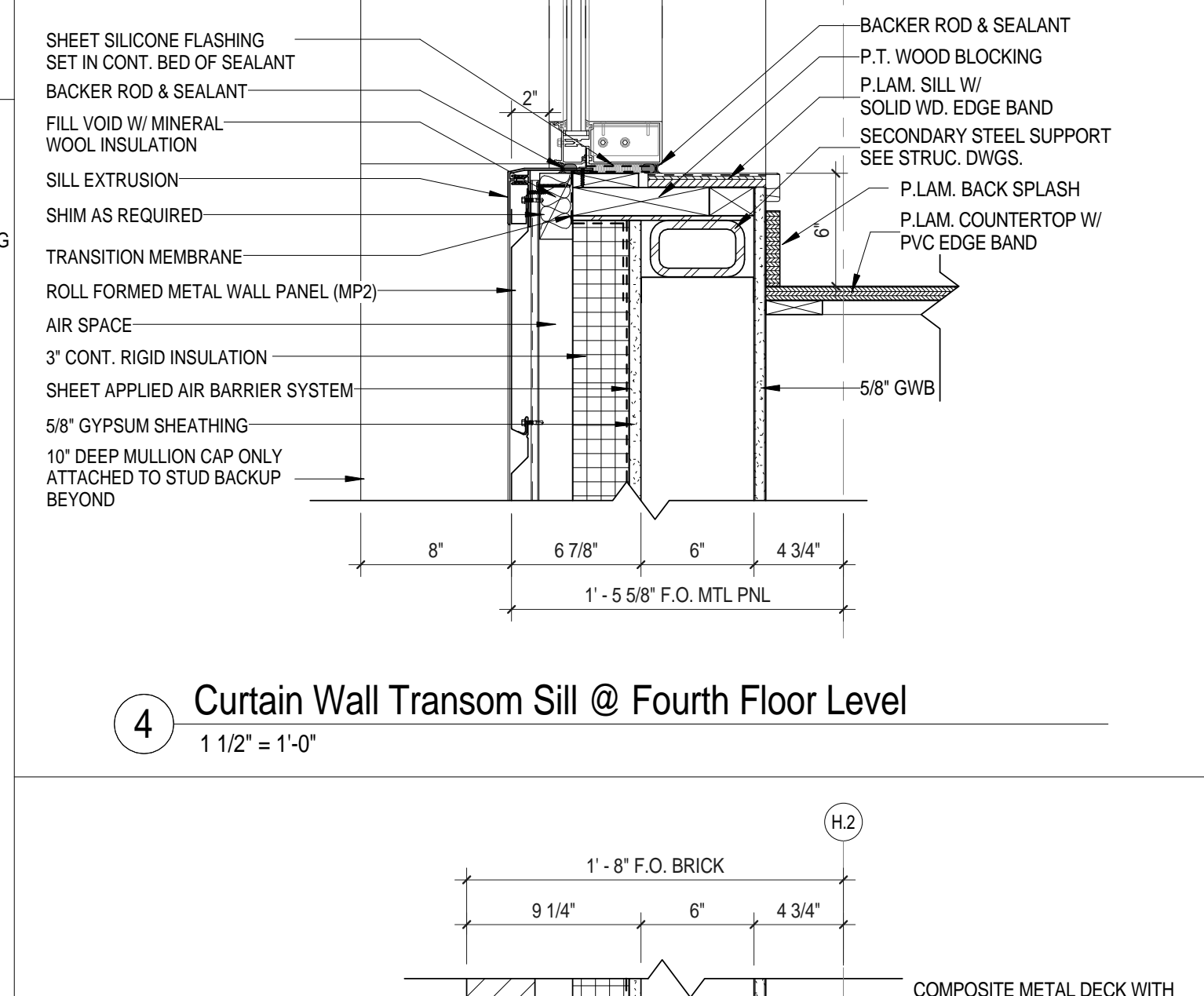
14 Curtain Wall Sill @ MTL PNL of Classroom Wing  
1 1/2" = 1'-0"



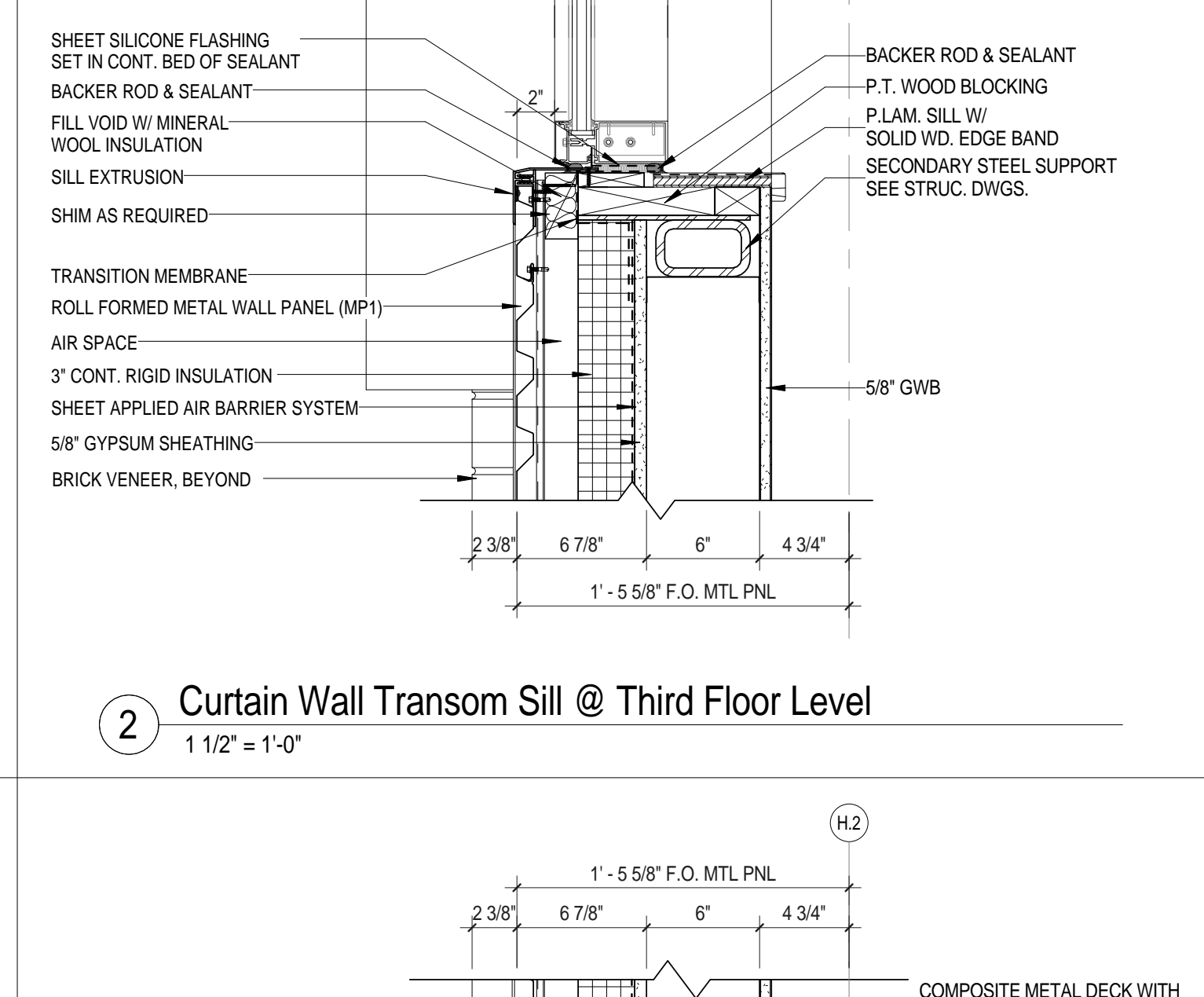
11 Curtain Wall Head @ Brick Wall of Classroom  
1 1/2" = 1'-0"



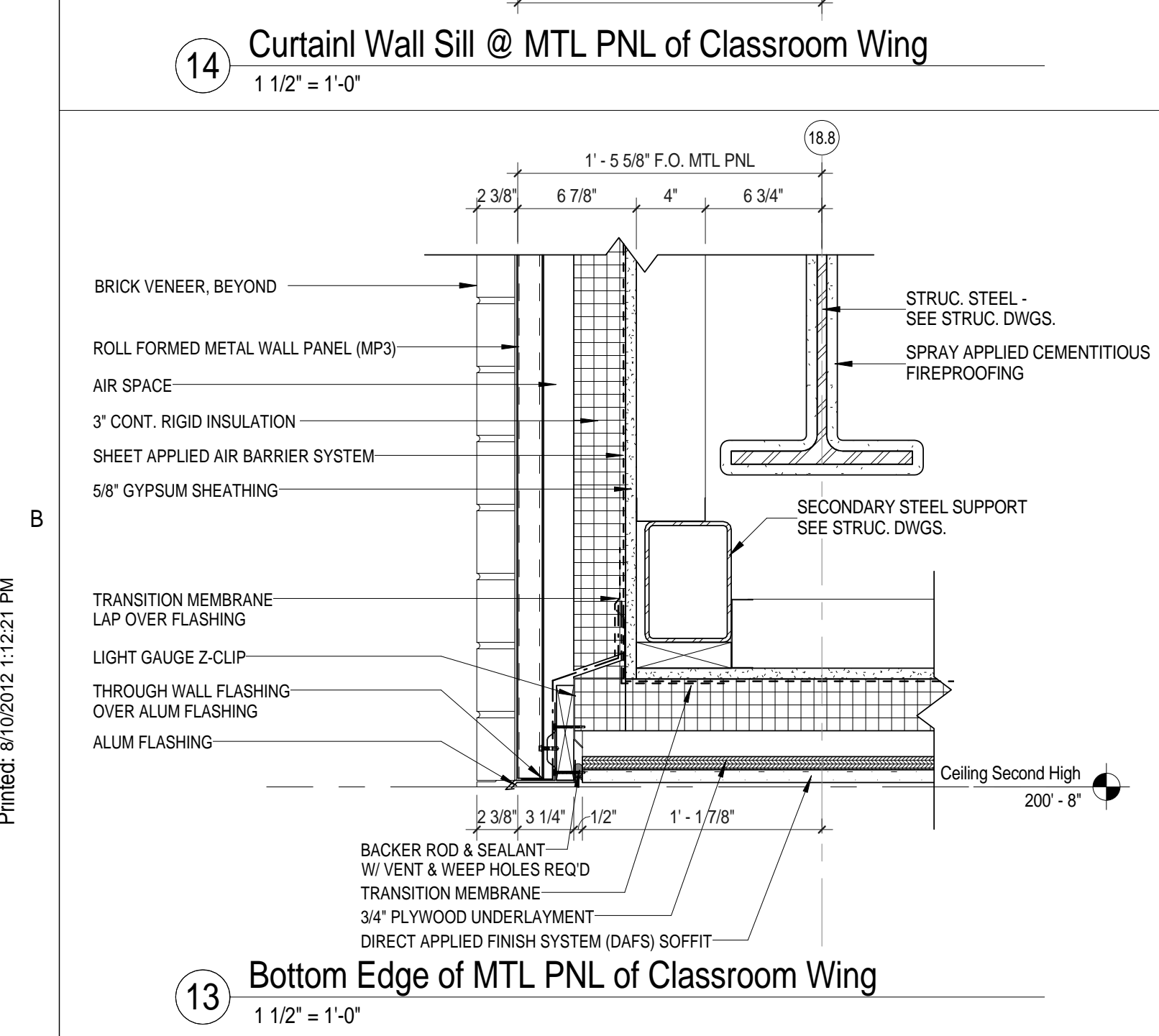
7 Curtain Wall Bay Roof Edge  
1 1/2" = 1'-0"



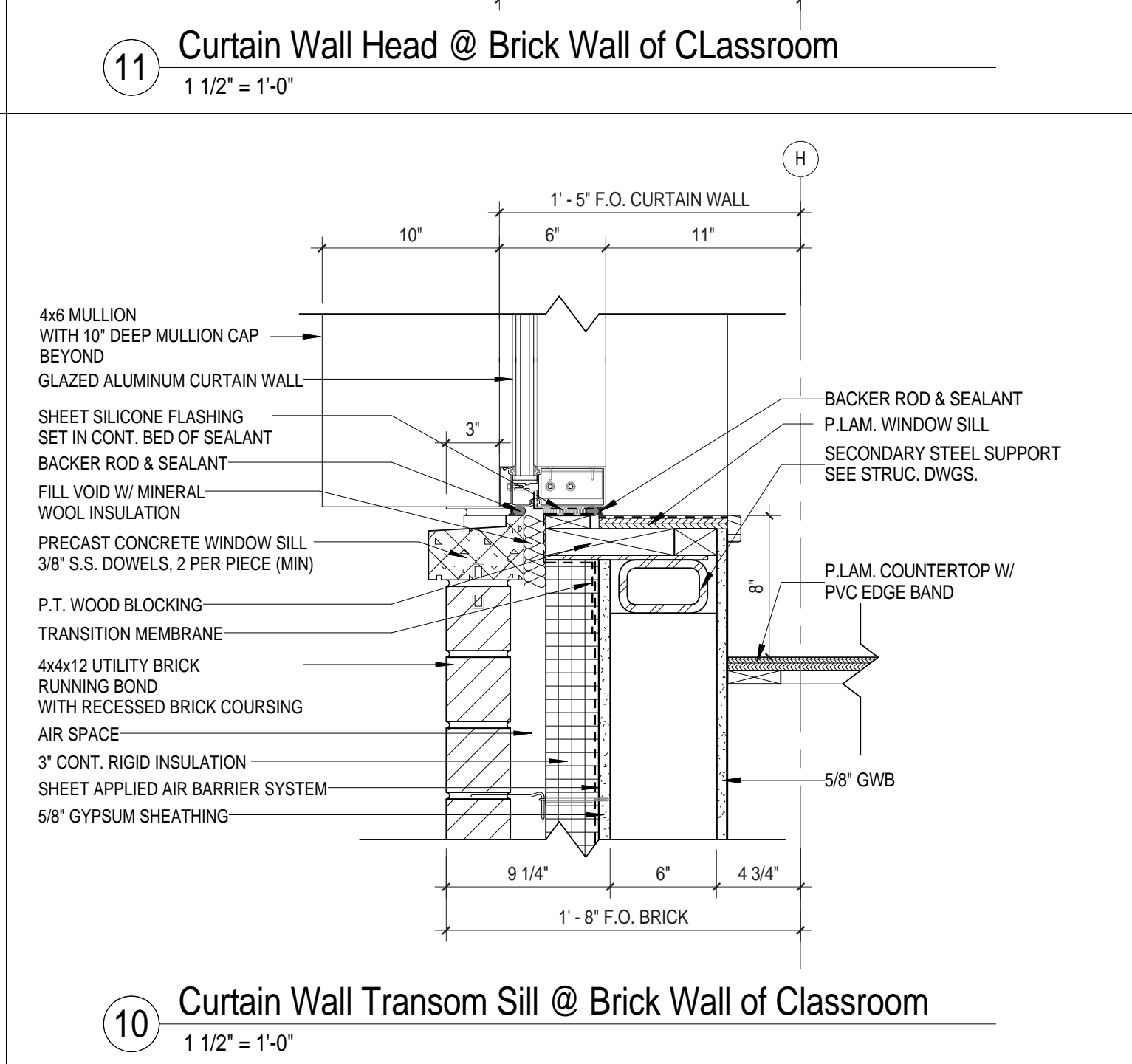
6A Brick Wall Bottom of Curtain Wall Bay  
1 1/2" = 1'-0"



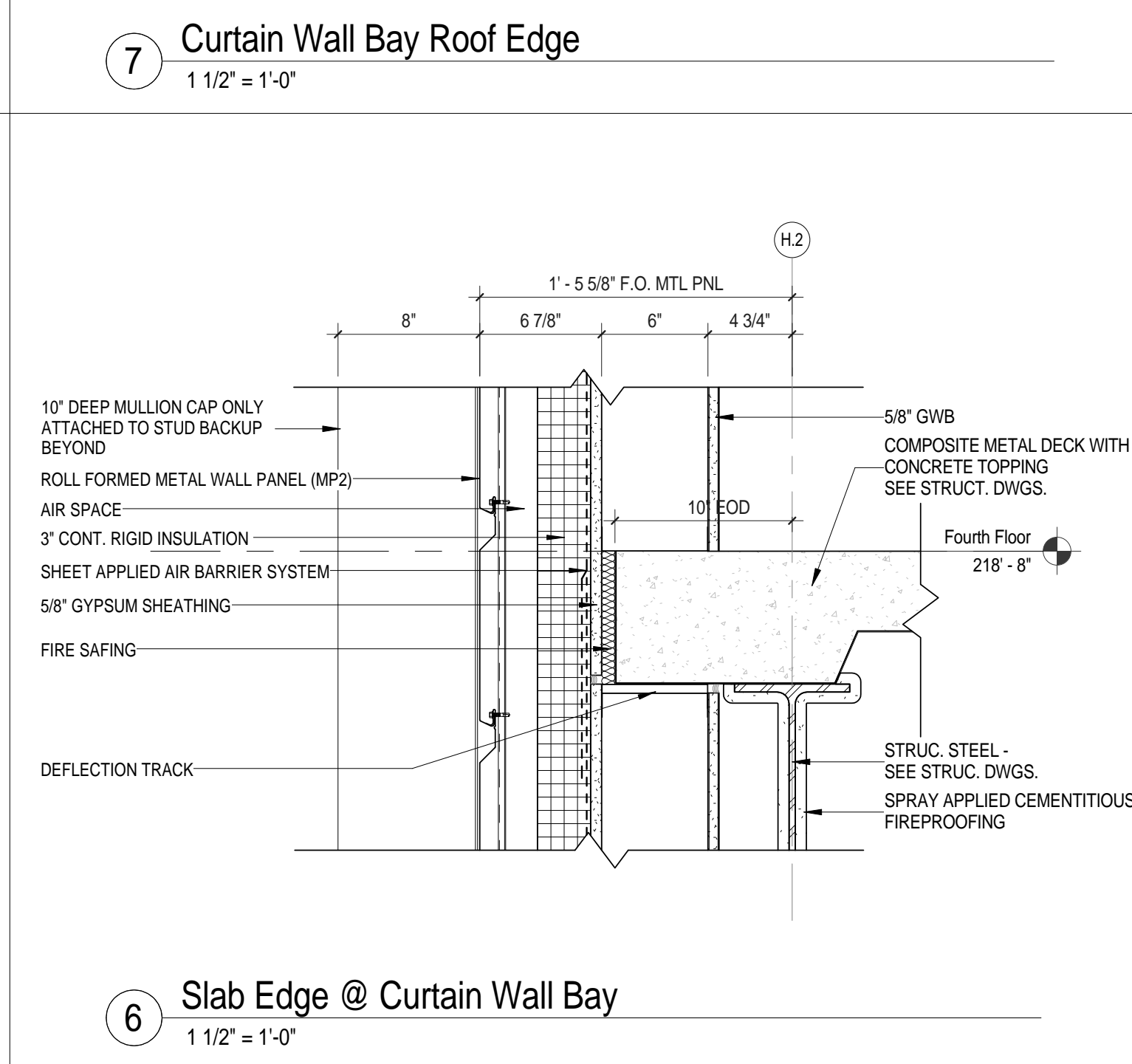
1 Curtain Wall Bay Bottom @ Classroom Area  
1 1/2" = 1'-0"



13 Bottom Edge of MTL PNL of Classroom Wing  
1 1/2" = 1'-0"



10 Curtain Wall Transom Sill @ Brick Wall of Classroom  
1 1/2" = 1'-0"

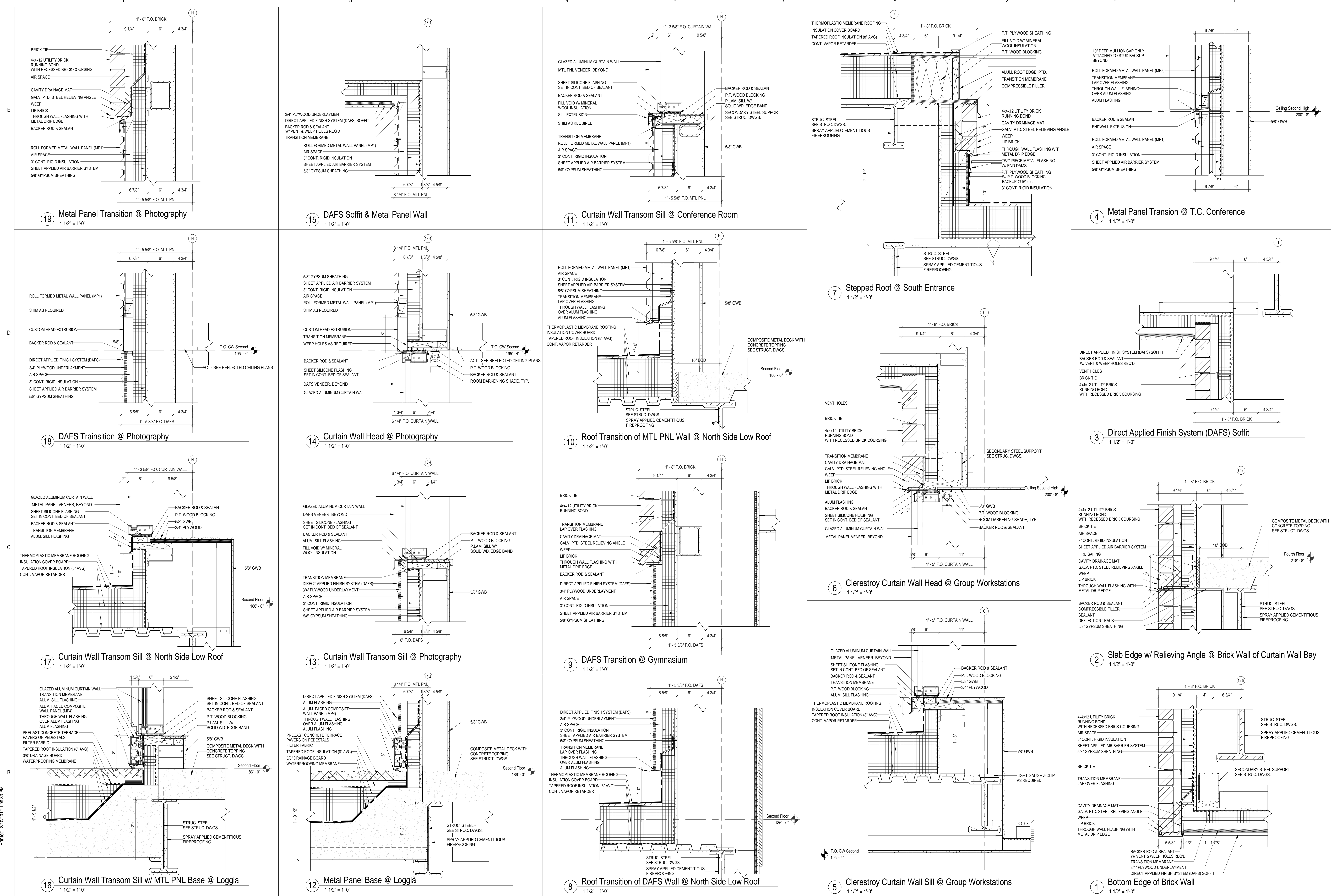


6 Slab Edge @ Curtain Wall Bay  
1 1/2" = 1'-0"

Architect: <b>omr architects inc</b> 543 Massachusetts Ave, West Acton, MA 01720 www.omr-architects.com t: 978.264.0160	Consulting Engineer:    	Registration: <i>Design Development Submission</i>	Project Name and Address: <b>Concord-Carlisle Regional High School</b> 500 Walden Street Concord, MA 01742	Issue Submissions: No. Date: Description: 2 8/15/2012 Design Development Submission	Title: <b>Exterior Vertical Details</b>	Project No.: <b>1102.00</b> Drawing No.: <b>A6.5</b>		
Date: August 15, 2012	Scale: 1 1/2" = 1'-0"	Drawn: JL	Checked: jfr/s	Date: August 15, 2012	Scale: 1 1/2" = 1'-0"	Drawn: JL	Checked: jfr/s	Project No.: <b>1102.00</b> Drawing No.: <b>A6.5</b> © omr architects inc

C:\Users\jfr\Documents\Concord-Carlisle HS\_CENTRAL.dwg  
 Printed: 8/10/2012 11:22:21 PM  
 User: jfr

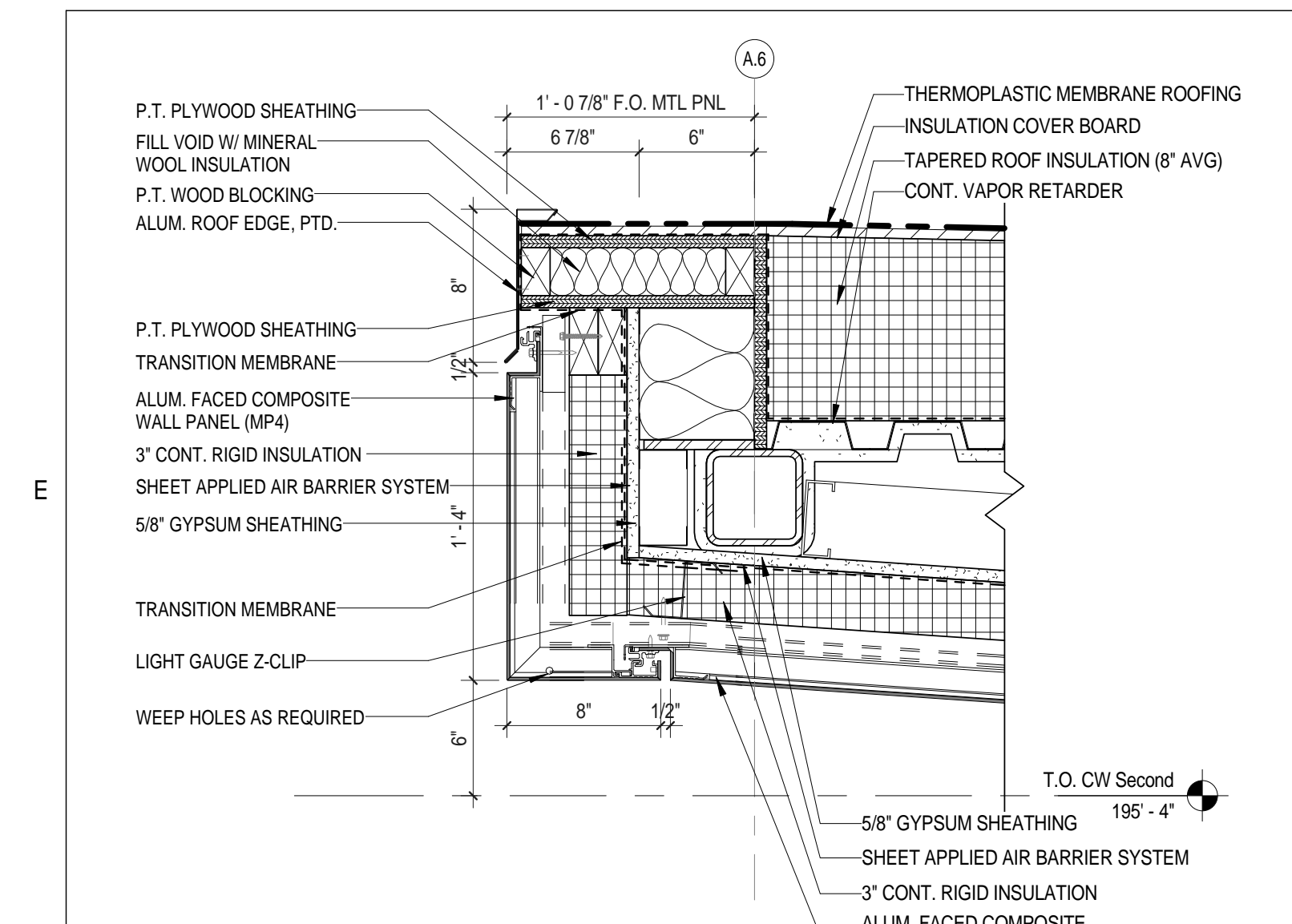




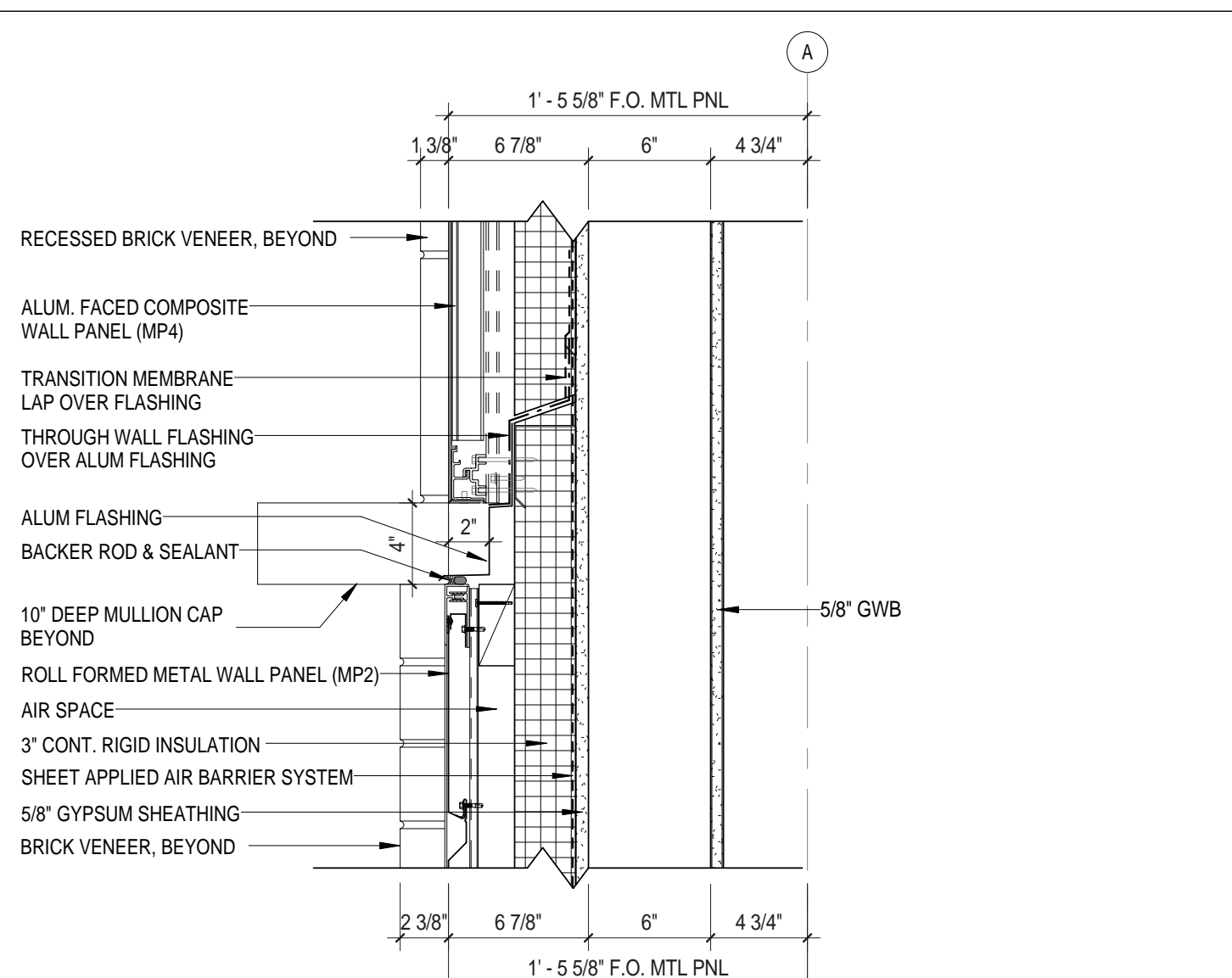
C:\Users\jfeet\Documents\Concord-Carlisle HS\_CENTRAL.dwg  
 Printed: 8/10/2012 1:08:33 PM  
 User: jfeet

Architect: <b>omr architects inc</b> 543 Massachusetts Ave, West Acton, MA 01720 www.omr-architects.com t: 978.264.0160	Consulting Engineer:	Registration:	Project Name and Address: <b>Concord-Carlisle Regional High School</b> 500 Walden Street Concord, MA 01742	Issue Submissions: No.: Date: Description: 2 8/15/2012 Design Development Submission	Title: <b>Exterior Vertical Details</b>	Project No.: <b>1102.00</b> Drawing No.: <b>A6.6</b>
Date: August 15, 2012			Scale: 1 1/2" = 1'-0"		Drawn: JL Checked: jff/s	

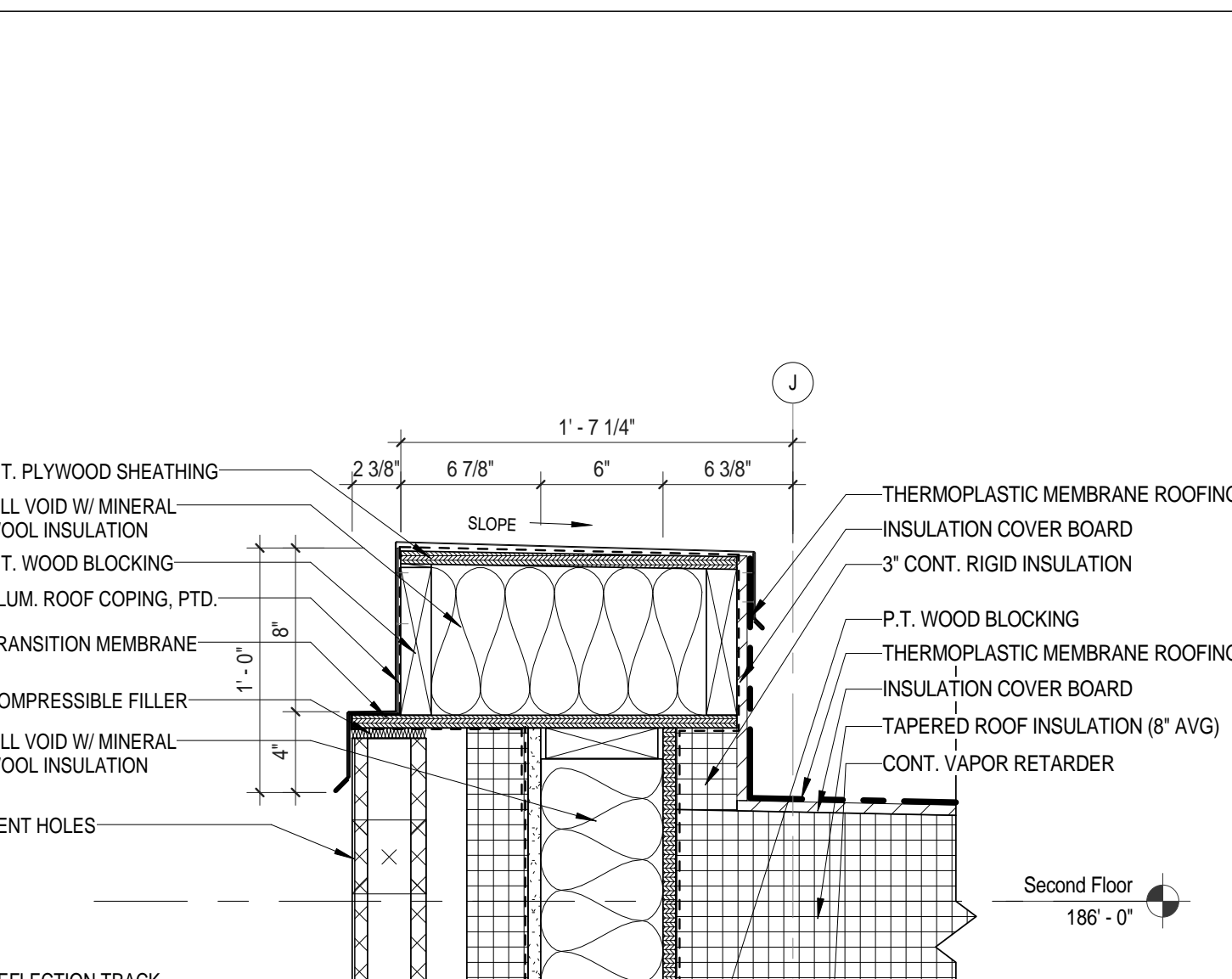




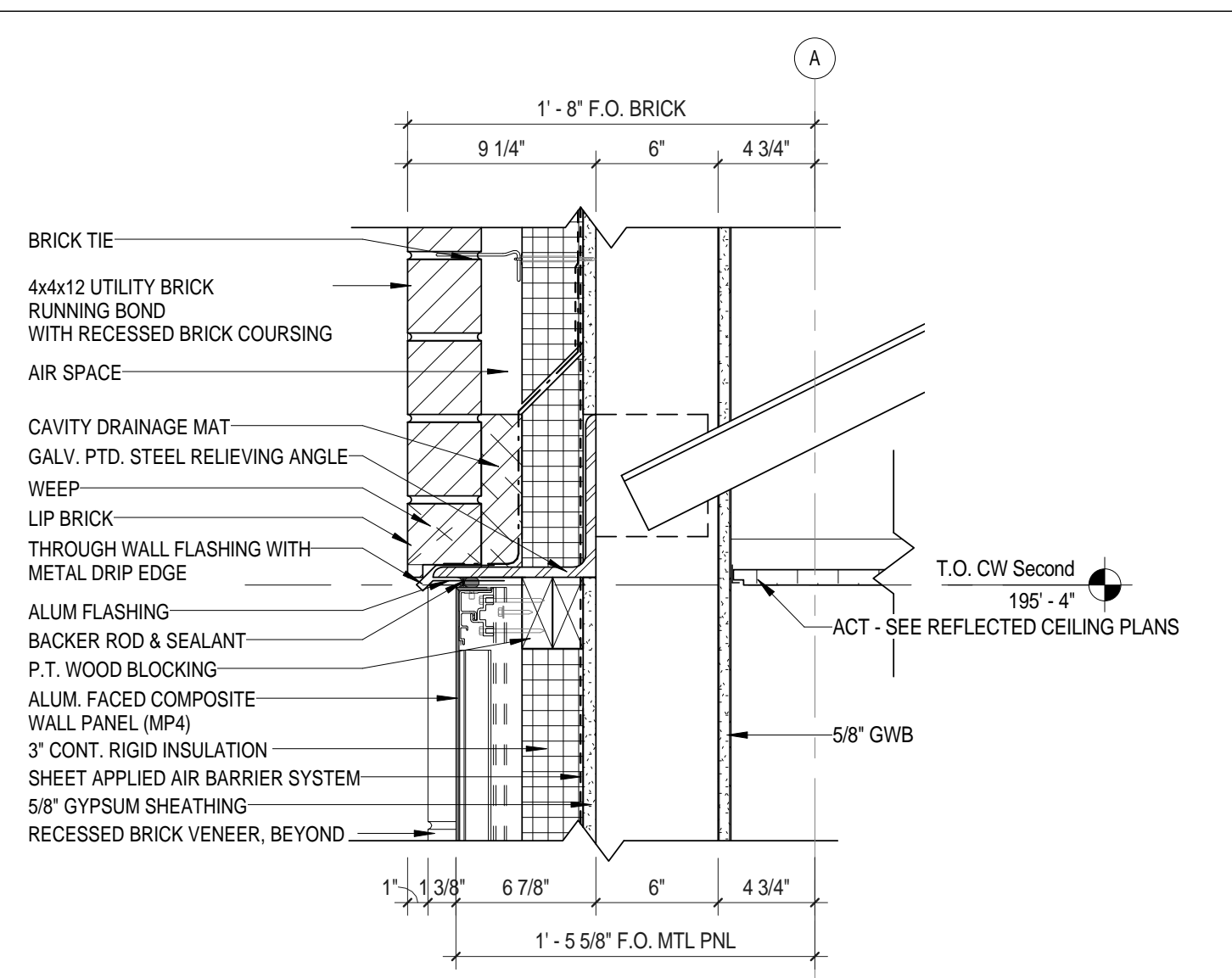
**19** Roof Edge @ South Entrance  
1 1/2" = 1'-0"



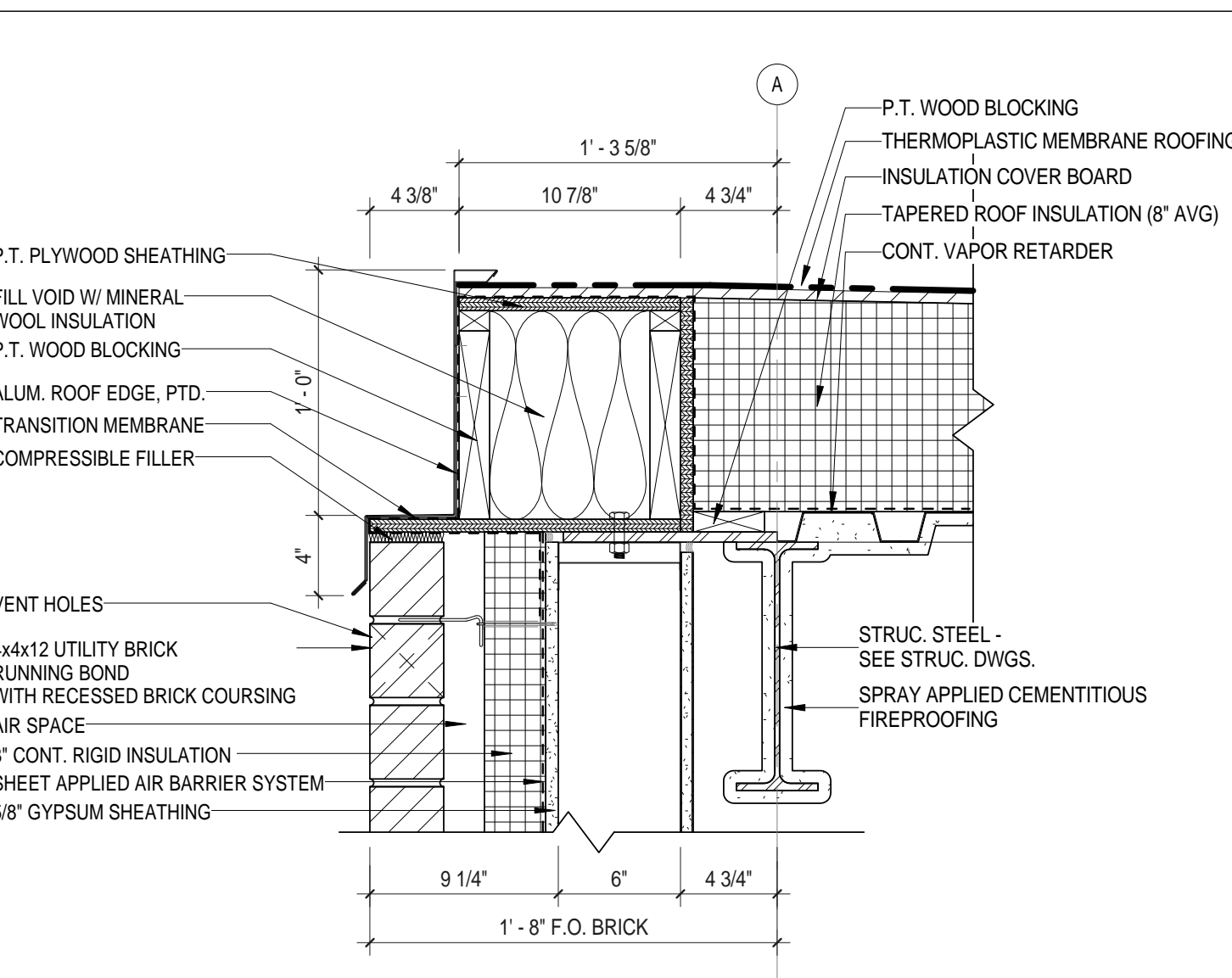
**15** Metal Panel Transition @ Brick  
1 1/2" = 1'-0"



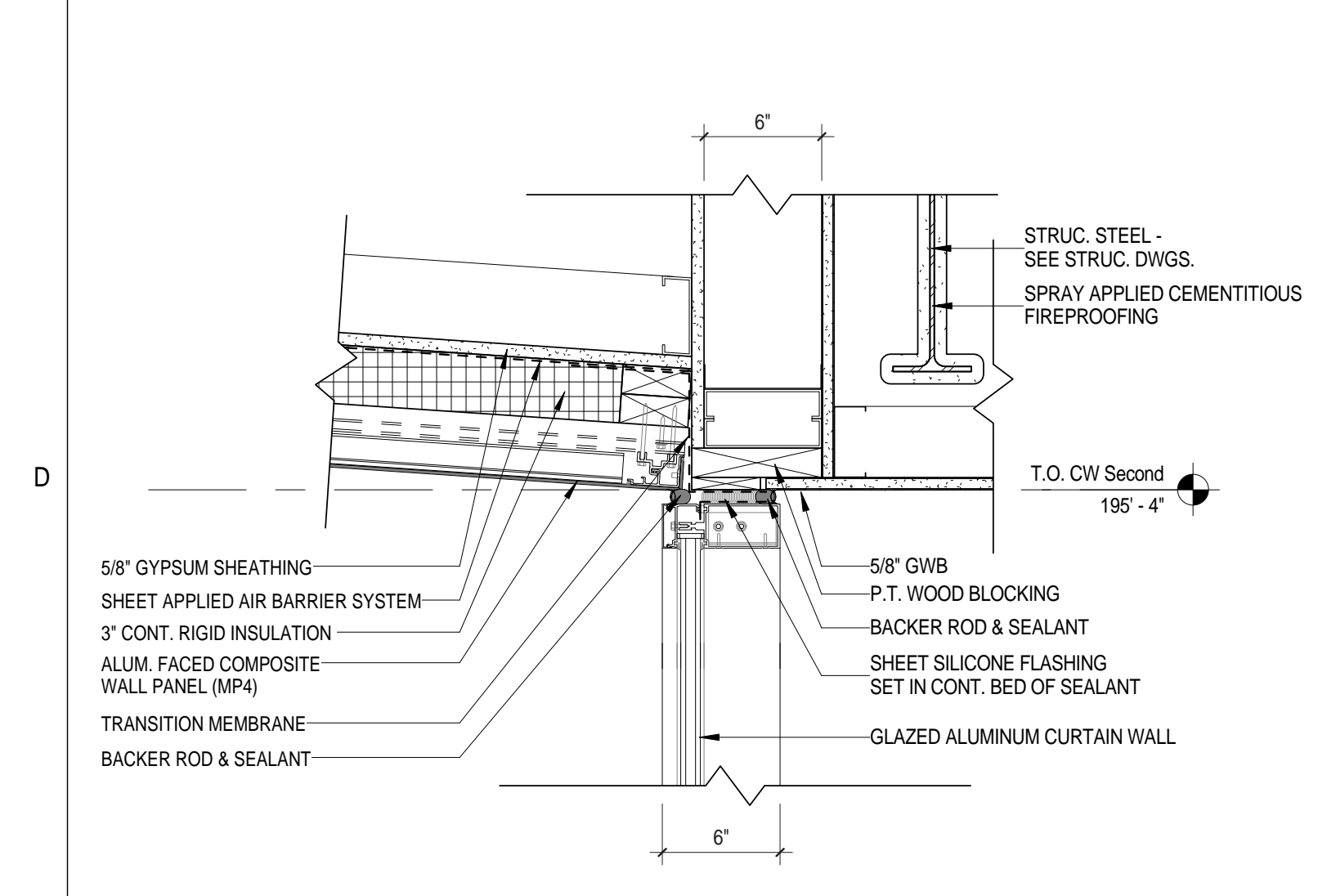
**11** Parapet @ Cafeteria Roof  
1 1/2" = 1'-0"



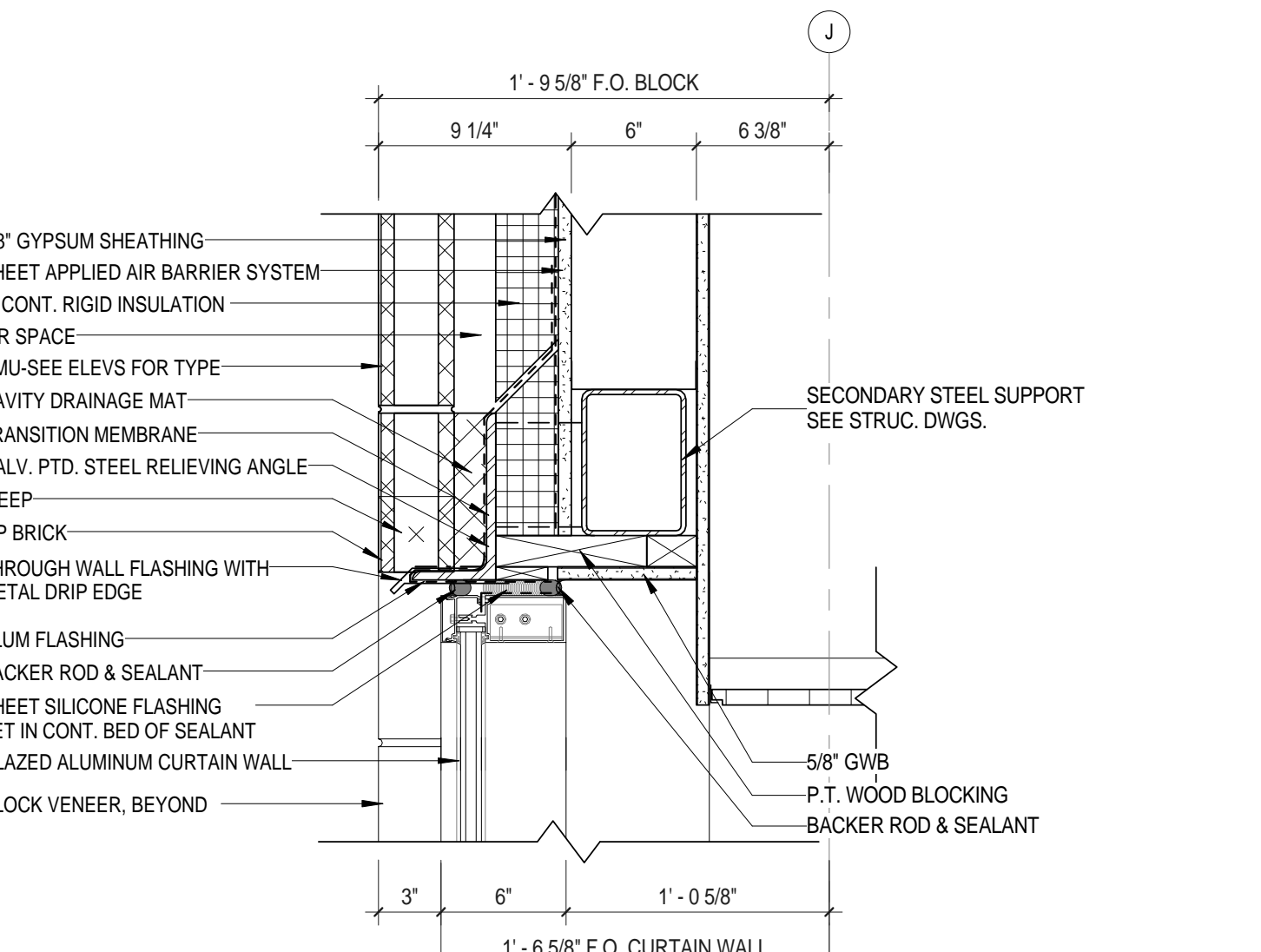
**8** Metal Panel Head @ Brick  
1 1/2" = 1'-0"



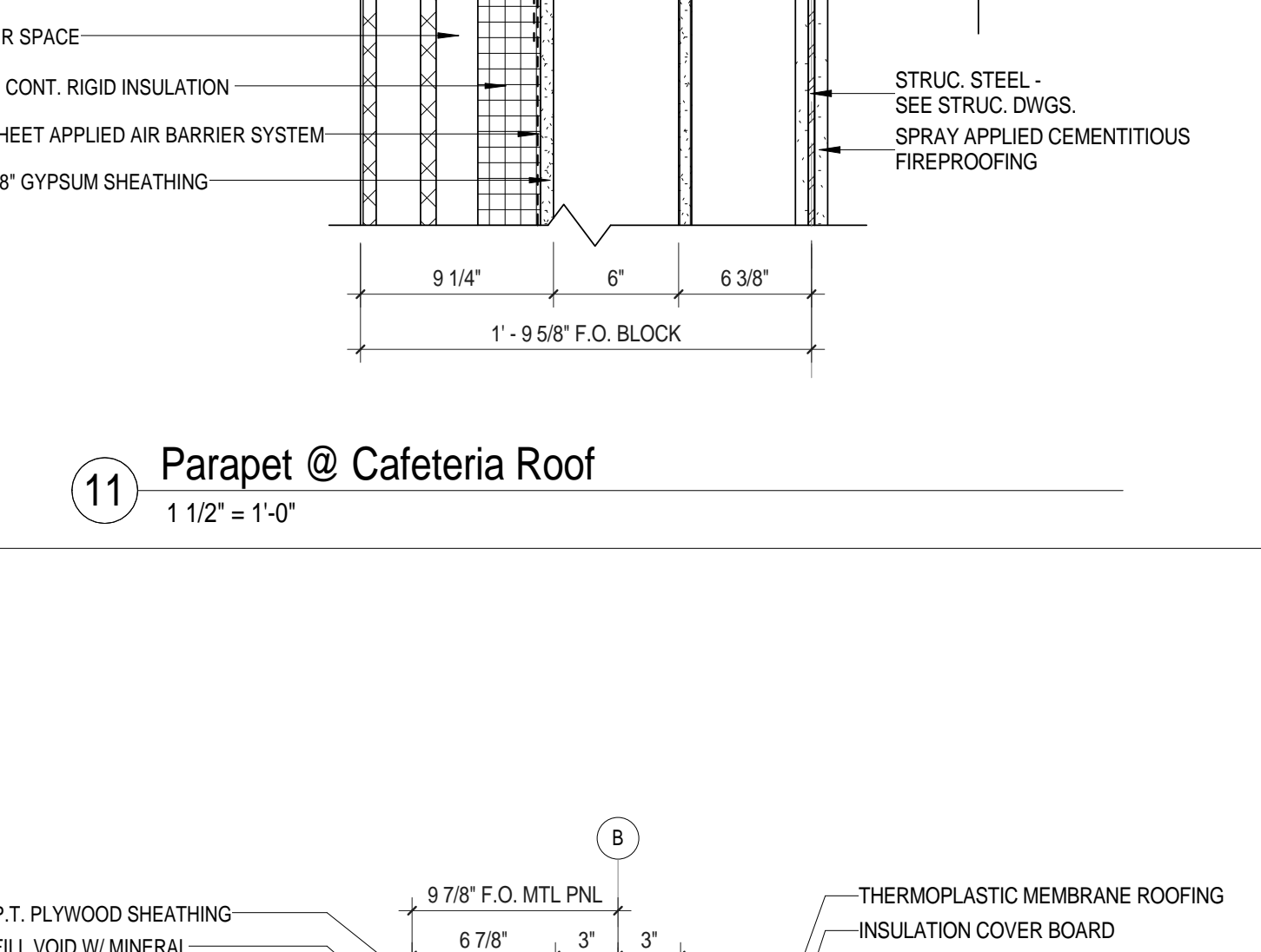
**4** Roof Edge @ Brick Wall of Administration  
1 1/2" = 1'-0"



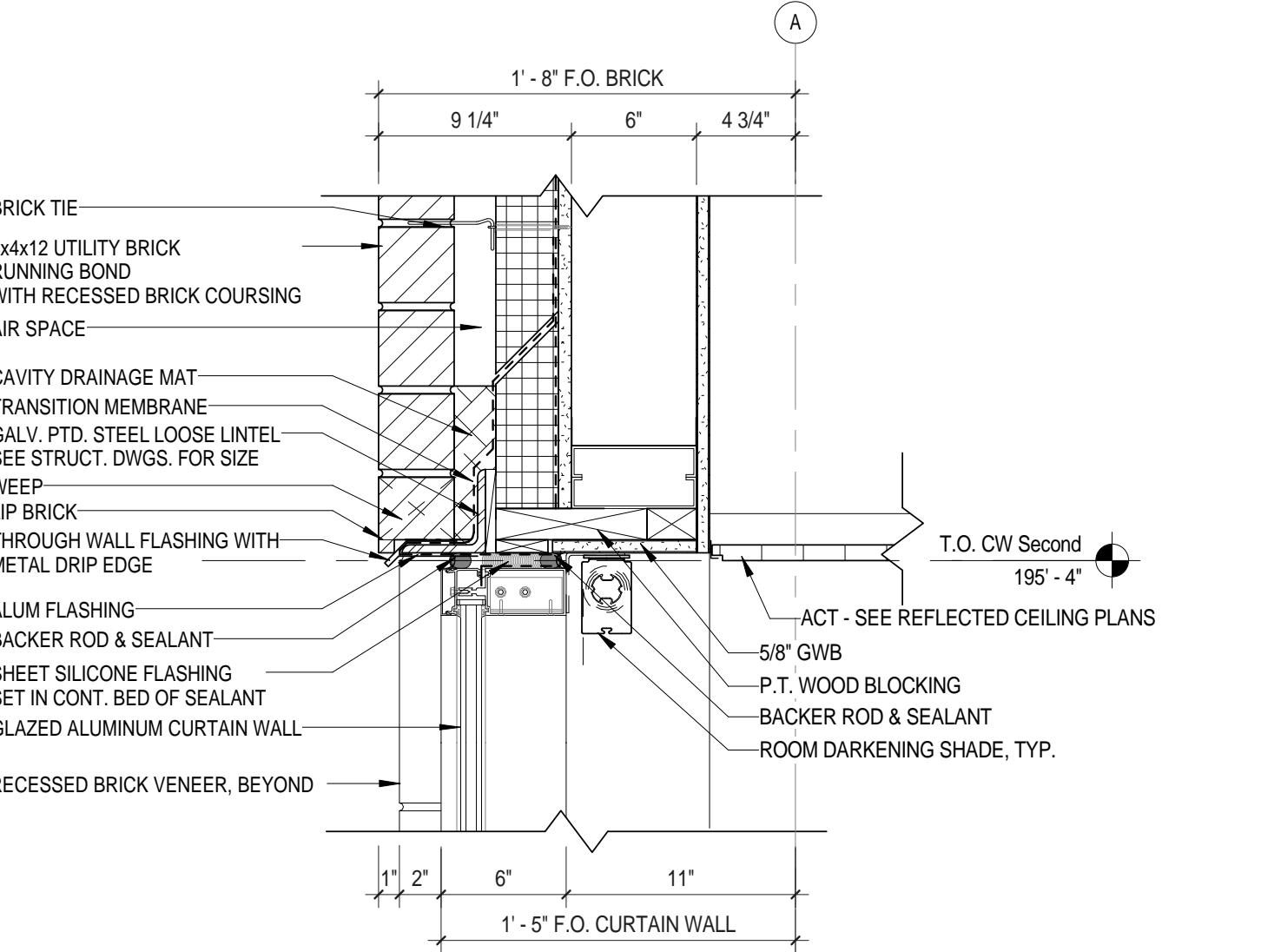
**18** Metal Panel Soffit @ South Entrance  
1 1/2" = 1'-0"



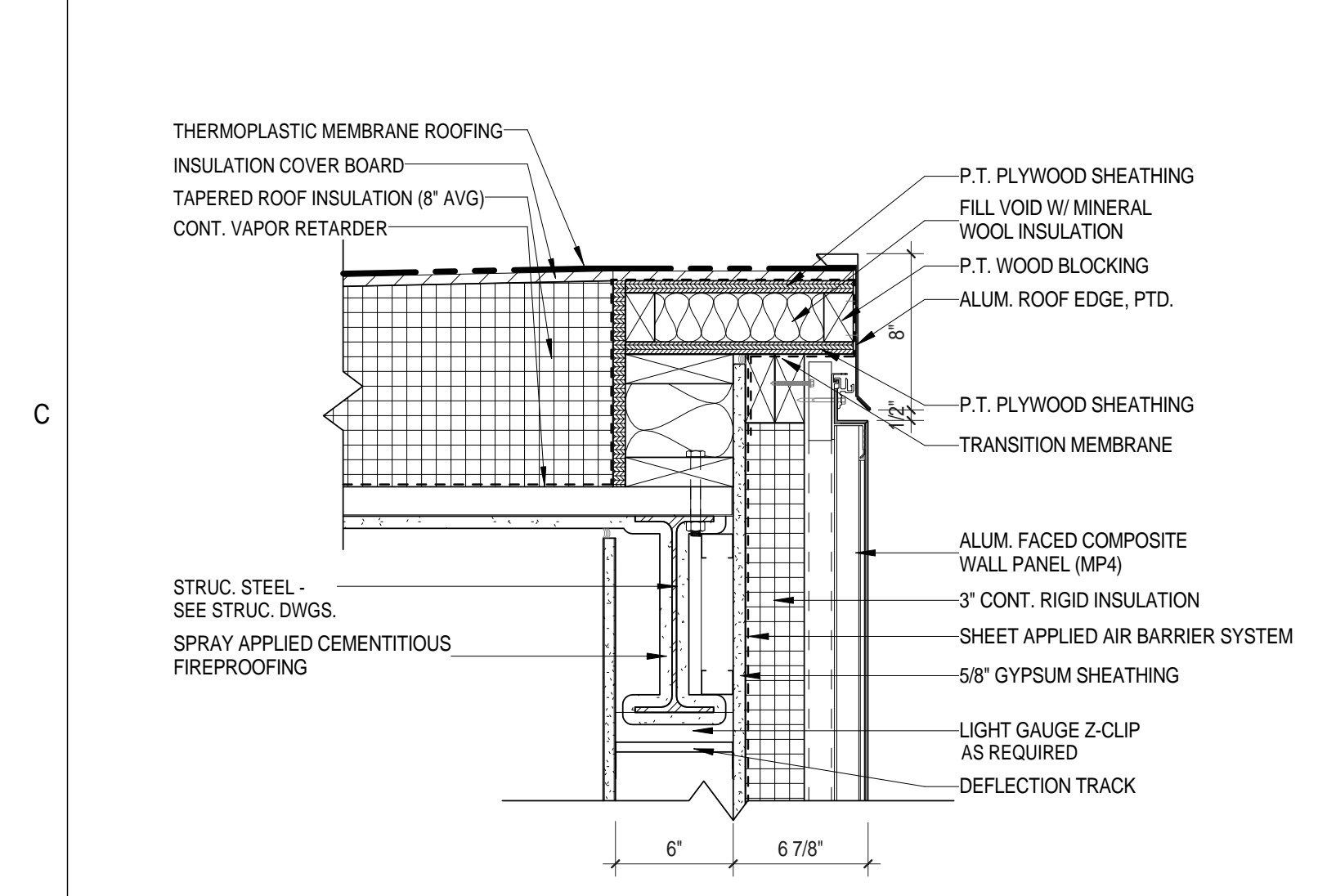
**14** Curtain Wall Head @ Cafeteria  
1 1/2" = 1'-0"



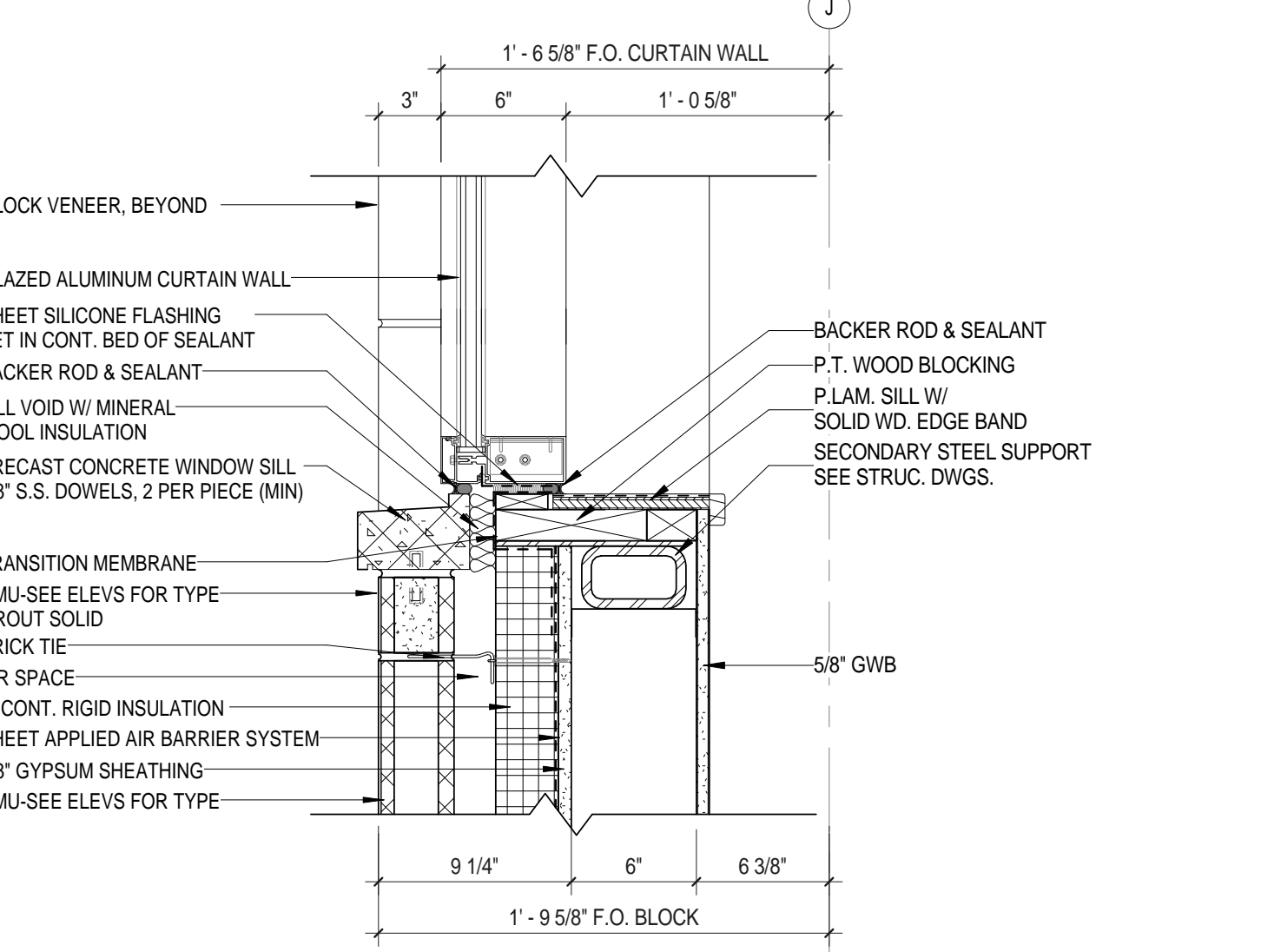
**7** Metal Panel Sill @ Brick  
1 1/2" = 1'-0"



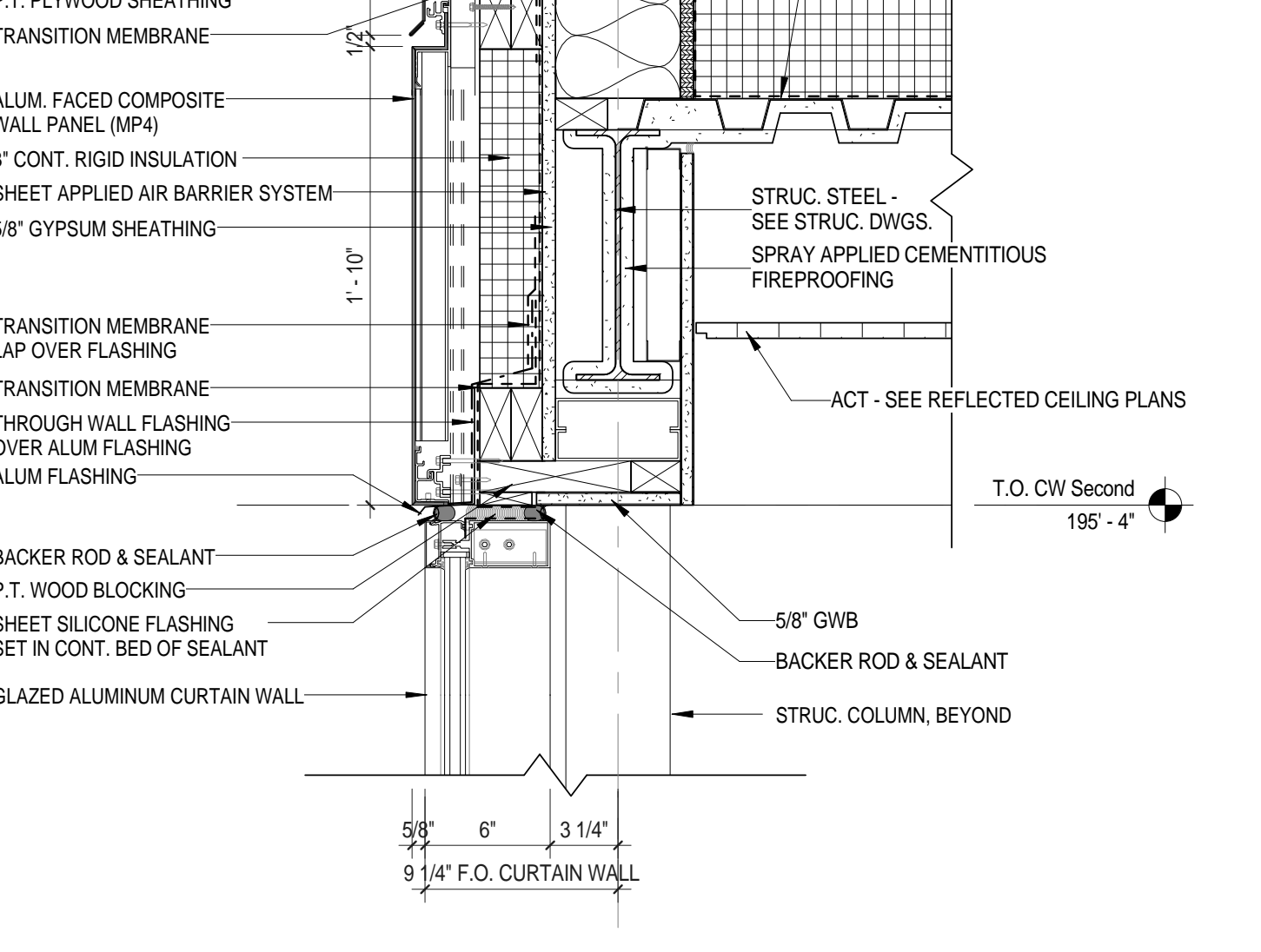
**3** Curtain Wall Head @ Brick Wall of Administration  
1 1/2" = 1'-0"



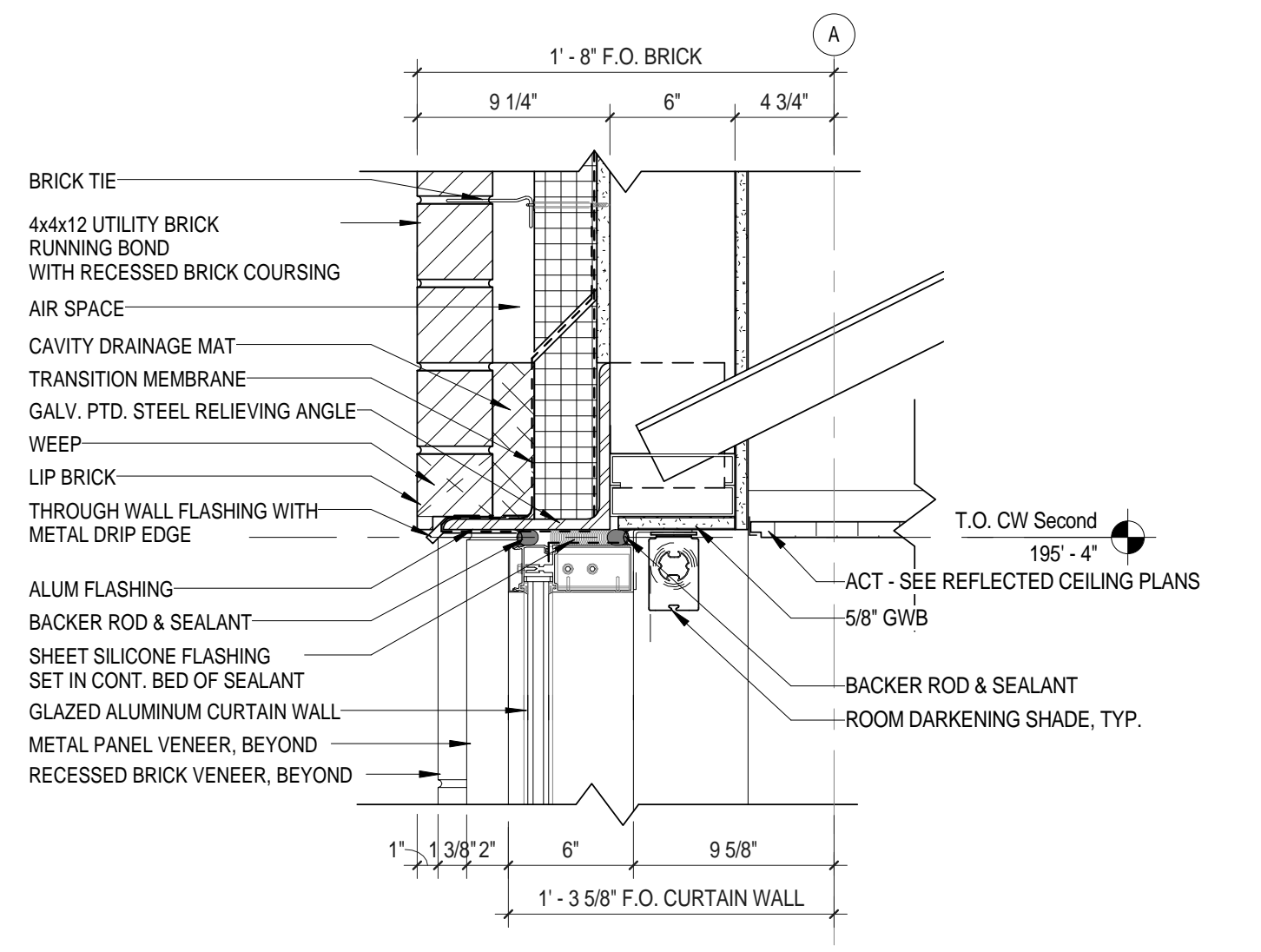
**17** Corridor Vestibule Roof Edge  
1 1/2" = 1'-0"



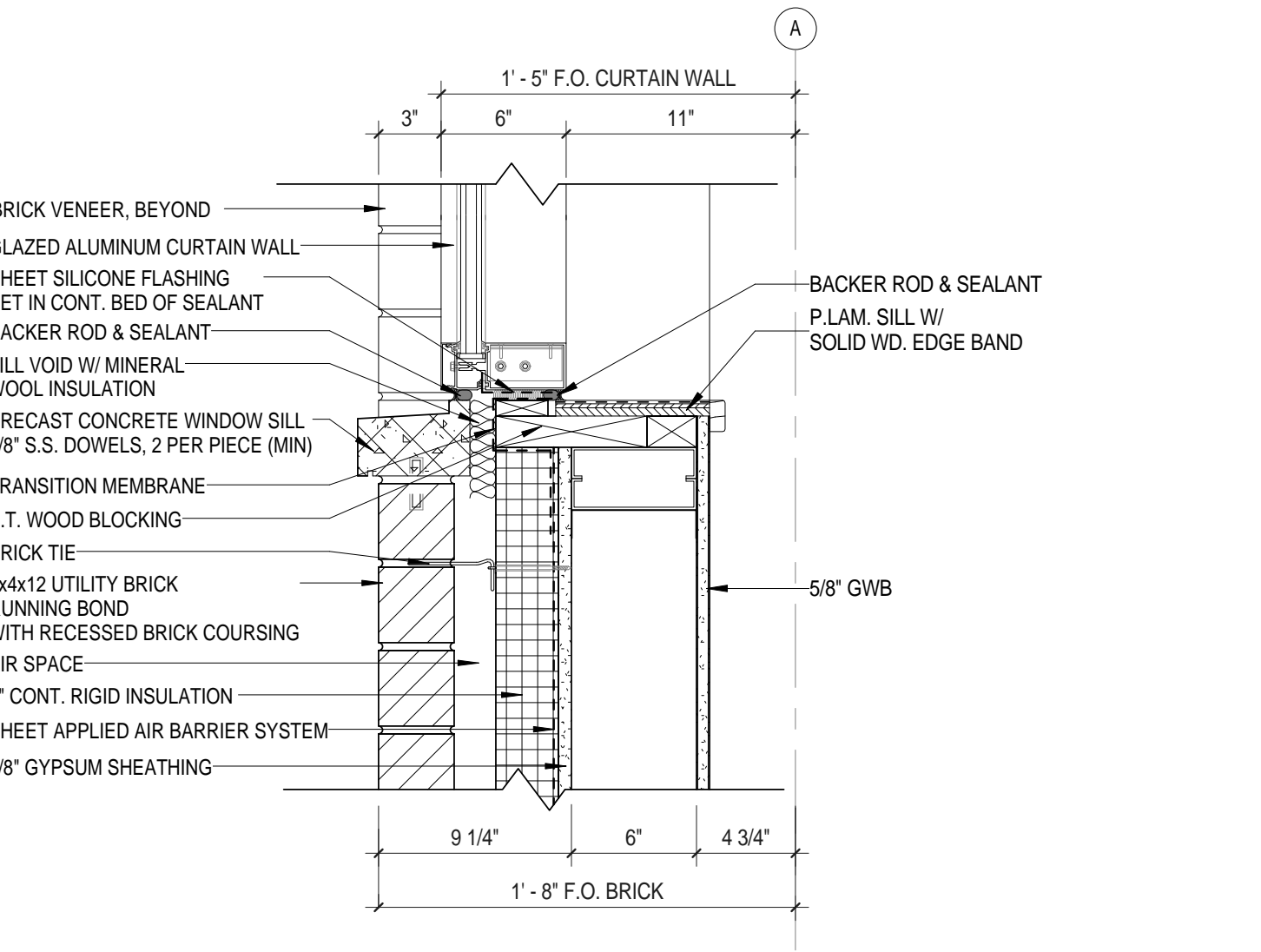
**13** Curtain Wall Transom Sill @ Cafeteria  
1 1/2" = 1'-0"



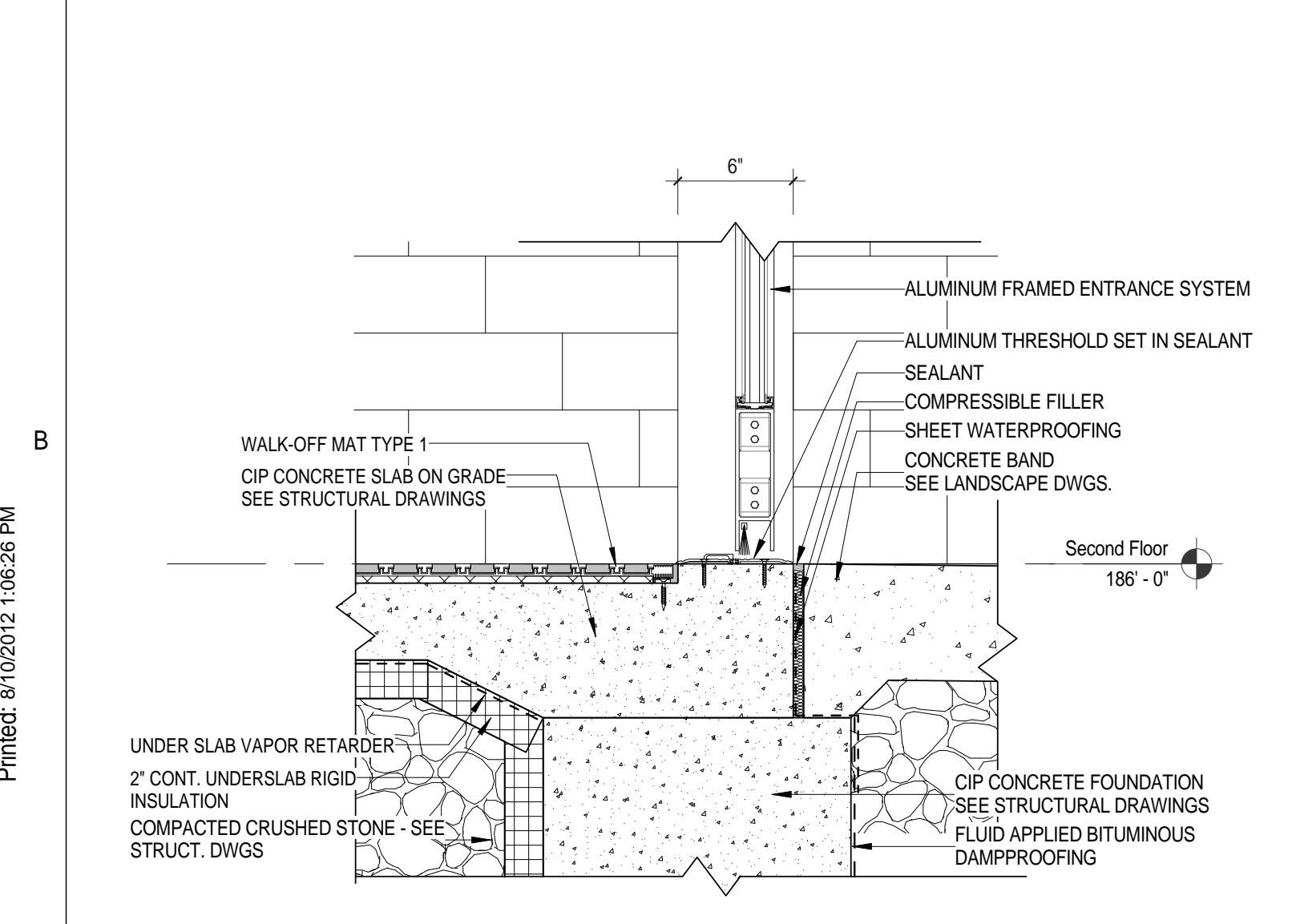
**10** Corridor Roof Edge  
1 1/2" = 1'-0"



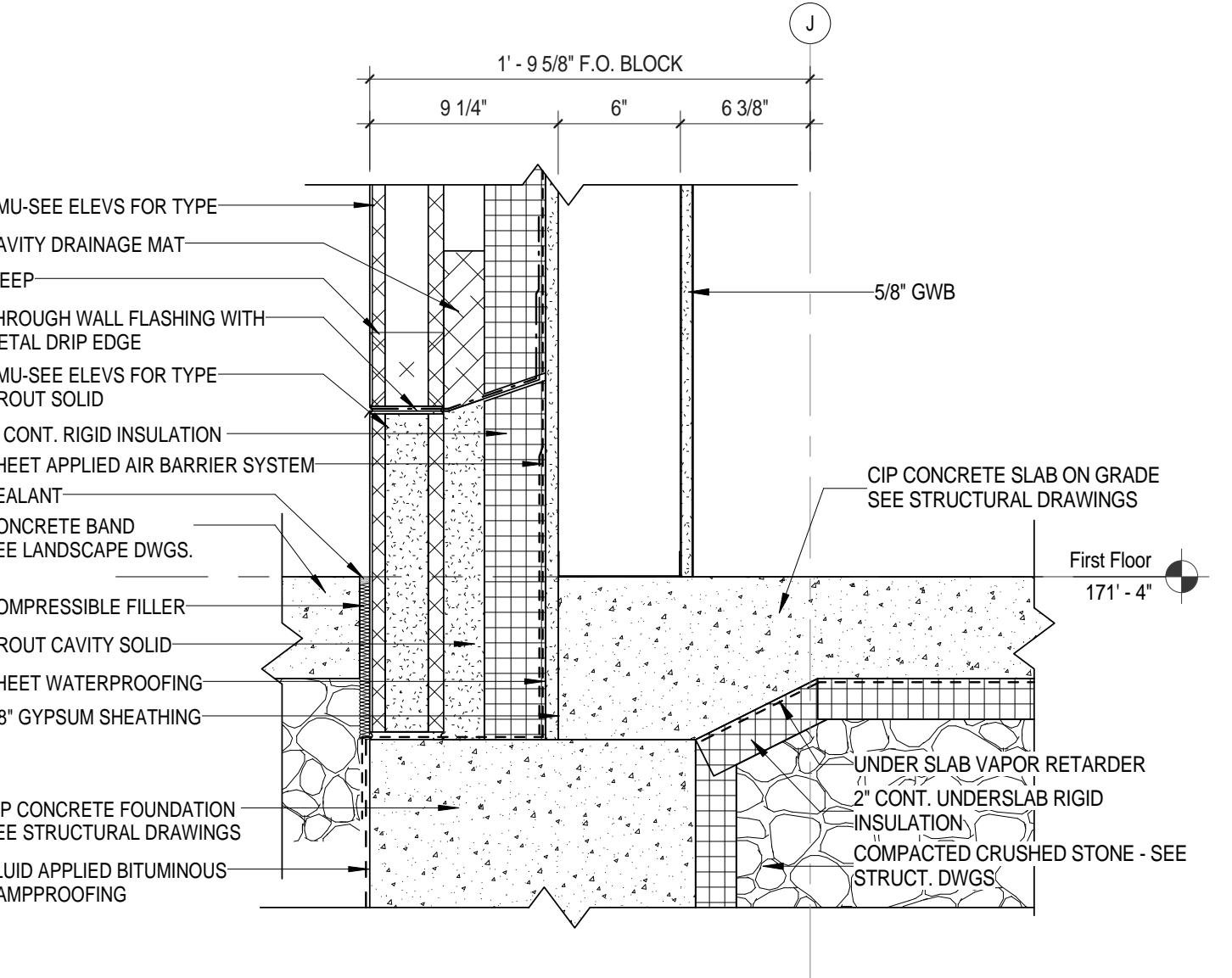
**6** Curtain Wall Head w/ REC. MTL PNL @ Brick  
1 1/2" = 1'-0"



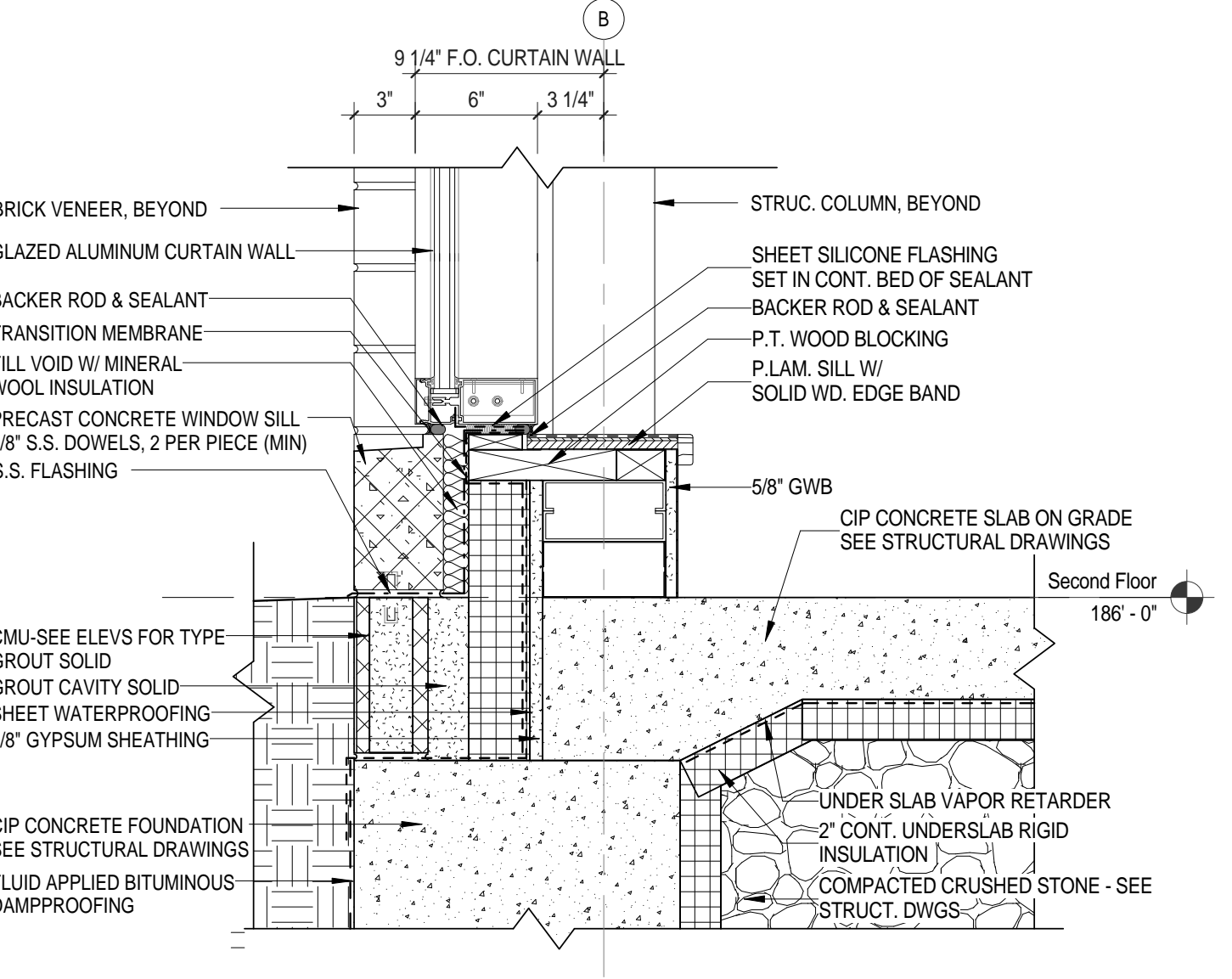
**2** Curtain Wall Transom Sill @ Brick Wall of Administration  
1 1/2" = 1'-0"



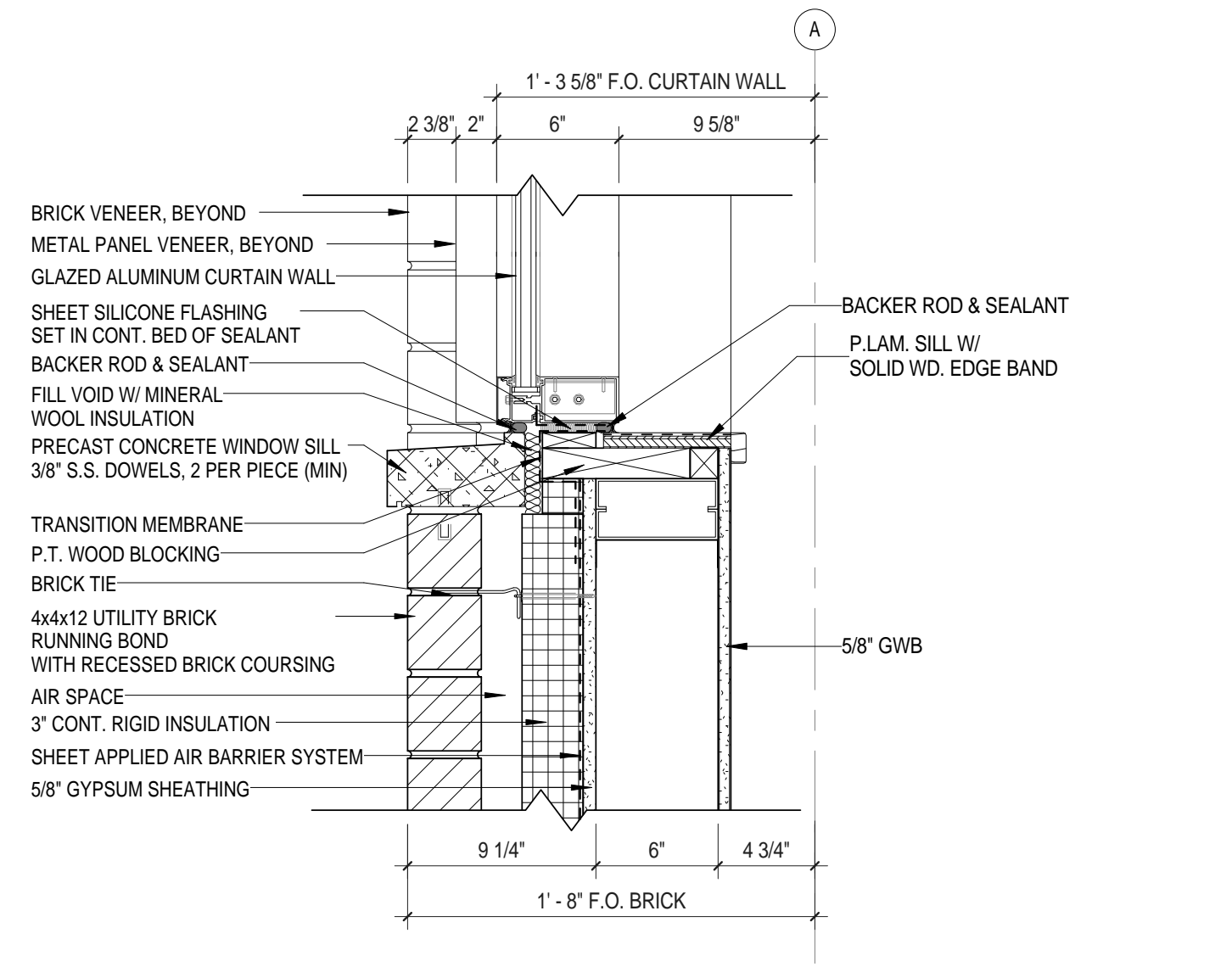
**16** Corridor Vestibule Exterior Threshold  
1 1/2" = 1'-0"



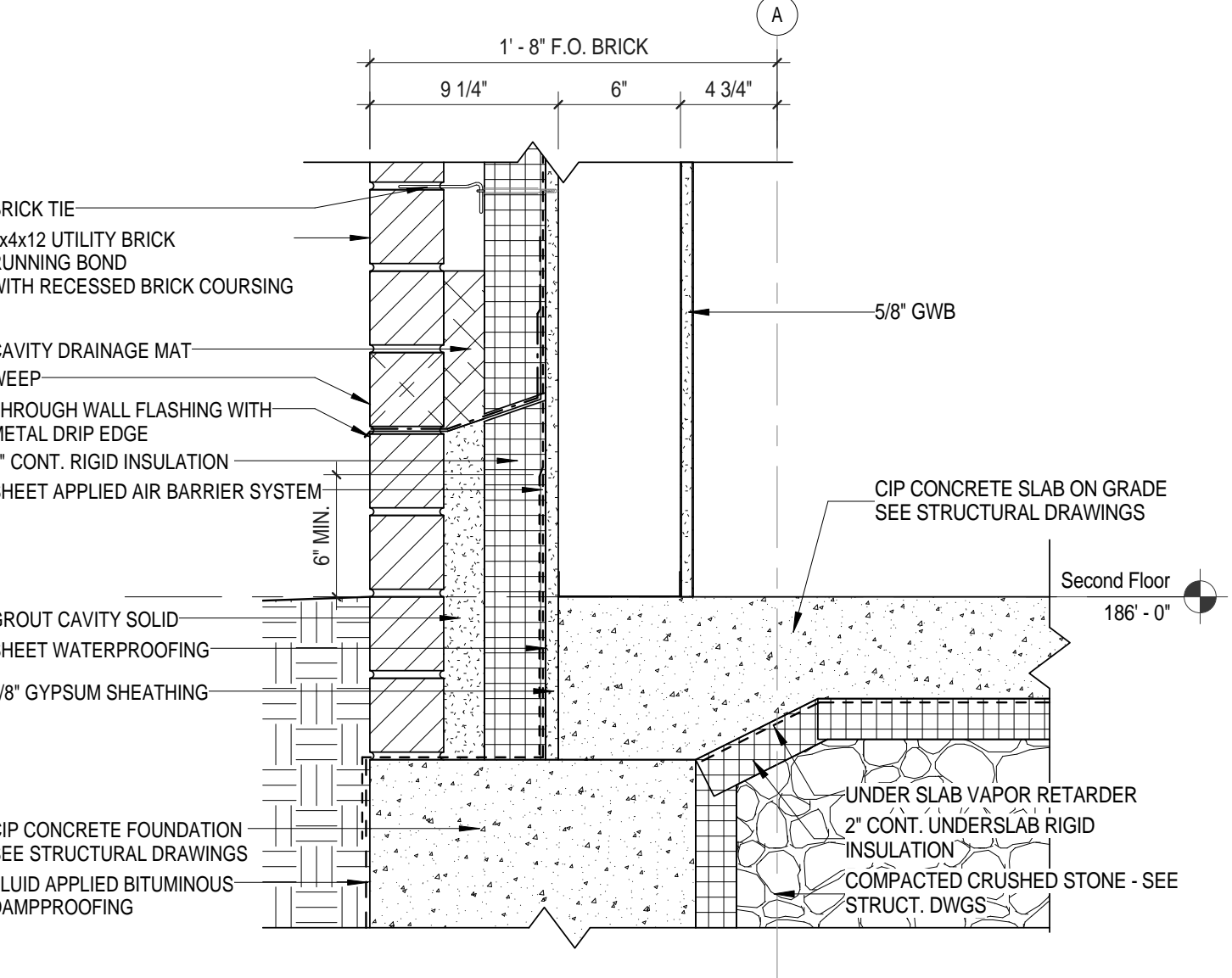
**12** Precast Wall Base @ Cafeteria  
1 1/2" = 1'-0"



**9** Precast Concrete Base  
1 1/2" = 1'-0"



**5** Curtain Wall Transom Sill w/ REC. MTL PNL @ Brick  
1 1/2" = 1'-0"



**1** Typical Brick Wall Base @ Administration  
1 1/2" = 1'-0"

Architect: **omr architects inc.** 543 Massachusetts Ave, West Acton, MA 01720  
 Consulting Engineer: [Blank]  
 Registration: [Blank]  
 Project Name and Address: **Concord-Carlisle Regional High School**, 500 Walden Street, Concord, MA 01742  
 Issue Submissions: No.: 2, Date: 8/15/2012, Description: Design Development Submission  
 Title: **Exterior Vertical Details**  
 Project No.: 1102.00  
 Drawing No.: **A6.7**  
 Date: August 15, 2012, Scale: 1 1/2" = 1'-0", Drawn: JL, Checked: jff/rs  
 © omr architects inc



